

FAVORIT 85060 VI

The Dishwasher That Can Be Fully Integrated

User Instructions



Dear customer,

Please read these user instructions carefully.

Above all please observe the safety instructions on the first few pages of these user instructions! Please keep these user instructions for later reference. Pass them on to any subsequent owner of the appliance.



The warning triangle and/or specific words (**Warning!**, **Caution!**, **Important!**) are used to highlight instructions that are important for your safety or for the function of the appliance. It is imperative that these instructions are observed.



This symbol or numbered instruction steps lead you step for step through the operation of the appliance.



Next to this symbol you receive additional information and practical tips on using the appliance.



Tips and instructions for the economical and environmentally conscious use of the appliance are marked with a clover leaf.

In the event of a malfunction, these operating instructions contain information on how to rectify faults yourself, see the "What to do, if..." section.

If these instructions are insufficient, please contact your nearest customer service centre.

In the case of technical problems, our customer service organisation is available to provide you with assistance at any time (you will find addresses and telephone numbers in the "Customer Service Centres" section).

In this respect please read the "Service" note on the rear of these user instructions.



Your dishwasher is fitted with the new "PULSE WASH" wash system. With this wash system, the motor speed and spray pressure are varied during the wash programme to improve the cleaning of the dishes. It is for this reason that the noise level changes during the wash programme.

Printed on paper manufactured with environmentally sound processes. He who thinks ecologically acts accordingly ...

CONTENTS

Operating Instructions	5
Safety Instructions	5
Disposal	7
Economical and Ecological Dishwashing	8
Appliance Features, Display and Control Fields	9
Display and control field	10
Prior to using for the first time	11
Water softener	11
Setting the water softener	12
Special salt for the water softener	13
Setting the amount of special salt to be added	13
Adding special salt	14
Rinse aid	15
Activating/deactivating the inflow of rinse aid	15
Adding rinse aid	16
Adjusting Rinse Aid Dosing	17
Activating/deactivating the acoustic signal	18
In Daily Use	18
Loading cutlery and dishes	19
Loading Cutlery	20
Loading Pans, Frying Pans and Large Plates	21
Loading Cups, Glasses and Coffee Services	22
Adjusting the Height of the Upper Basket	23
Filling with Detergent	24
Use of "3 in 1"/ Combi Detergent Tablets	25
Concentrated Detergent	26
Detergent tablets	26
Automatic Wash Programmes	26
Selecting the Wash Programme (Programme Table)	27
Starting a dishwashing cycle	28
Changing/interrupting/cancelling a dishwasher cycle	28
Setting or changing the start delay	29
Load Sensing – Sensor Logic	30
Switching off the dishwasher	31
Removing the dishes	31

Care and Cleaning	31
Cleaning the Filter	32
What to do, when	33
...Error messages are displayed.	33
...there are problems with the operation of the dishwasher.	35
...the wash result is not satisfactory.	35
Technical Data	36
Notes for Test Institutes	37
Installation and Connection Instructions	38
Installing the Dishwasher	38
Installing the Furniture Door	38
Connecting the Dishwasher	39
Water Connection	39
Permitted water pressure	39
Connect the inlet hose	39
Water drain	41
Leak prevention system	42
Electrical connection	42
Connections	43
Service Departments	44
Guarantee Conditions	46
Service	47

OPERATING INSTRUCTIONS



Safety Instructions

The safety aspects of AEG electrical appliances comply with accepted technical standards and the German Appliance Safety Law. Nevertheless, as a manufacturer we consider it our obligation to make you aware of the following safety information:

Installation, Connection and Placing into Operation

- The dishwasher may only be transported upright.
- Check the dishwasher for transport damage. Do not in any circumstances connect an appliance that is damaged. In the case of damage, please contact your supplier.
- Prior to placing the appliance in operation, ensure that the nominal voltage and type of supply on the rating plate match that of the supply where the appliance is to be installed. The fuse rating is also to be found on the rating plate.
- For information on how to correctly install and connect up your dishwasher, please read the "Installation" section. Multiway plugs / connectors and extension cables must not be used. This could constitute a safety hazard.

Child Safety

- Children often do not recognise the hazards associated with the use of electrical appliances. It is therefore important that you ensure children are adequately supervised and that you do not allow children to play with the dishwasher – there is a risk that children can shut themselves inside the appliance (risk of suffocation!).
- Packaging materials (e.g. films, styrofoam) can be dangerous for children. Risk of suffocation! Keep packaging away from children.
- Detergents can cause burns to the eyes, mouth, and throat, or even cause choking! Please observe the manufacturer's safety instructions for cleaners and detergents.
- The water in your dishwasher is not suitable for drinking. If there are still remnants of detergent in the appliance, there is a risk of burns!
- When disposing of the dishwasher: unplug from the mains, cut off and dispose of the mains cable. Break the door lock so that the door no longer shuts.

General Safety

- Repairs to the dishwasher are only to be carried out by qualified service engineers. Improper repairs can give rise to significant hazards for the user. If your appliance needs repairing, please contact customer service or your dealer.
- Never place the dishwasher in operation if the mains cable, water inlet or drain hose is damaged; or the control panel, work top or plinth area is damaged such that the inside of the appliance is freely accessible.
- If the mains lead is damaged, or is to be replaced for a longer lead, the cable (obtainable from AEG customer service) must be changed by a service engineer authorised by AEG.
- Never unplug the appliance by pulling on the cable, always pull the plug.
- Additions or modifications to the dishwasher are not permitted for safety reasons.
- Ensure that the door of the dishwasher is always closed when it is not being loaded or unloaded. In this way you will avoid anybody tripping over the open door and hurting themselves.
- Sharp knives and items of cutlery with sharp edges must be placed in the cutlery tray or in the upper rack.

Correct Use

- Only wash household dishes using the dishwasher. If the appliance is used for other purposes, or is used incorrectly, the manufacturer cannot accept any liability for any damage caused.
- Prior to use, ensure that the manufacturers of the special salt, detergent, and rinse aid employed specifically permit the usage of their products in household dishwashers.
- Do not put any solvents in the dishwasher. There is a risk of an explosion!
- The anti-flood system provides dependable protection against damage due to leaks. For this system to function correctly, the following preconditions must be met:
 - The appliance must remain connected to the mains even when it is switched off.
 - The dishwasher must be correctly installed.
 - Always shut off the water supply at the tap when the dishwasher is not to be used for longer periods, e.g. when you are away on holiday.

- Do not sit or stand on the open door, the appliance may tip over.
- In the event of a fault, first close the tap, then switch off the appliance and unplug it from the mains. If the appliance is permanently wired to the mains: switch off the fuse(s) or unscrew them.



Disposal

Disposing of the Packaging Material

Dispose of the dishwasher packaging material correctly. All the packaging materials used are harmless to the environment and can be recycled.

- Plastic parts are marked with standard international abbreviations:
 - >PE< for polyethylene, e.g. sheet wrapping material
 - >PS< for polystyrene, e.g. padding material (always CFC-free)
 - >POM< for polyoxymethylene, e.g. plastic clips
- Cardboard packaging is manufactured from recycled paper and should be deposited in the waste paper collection for recycling.

Disposal of old appliances

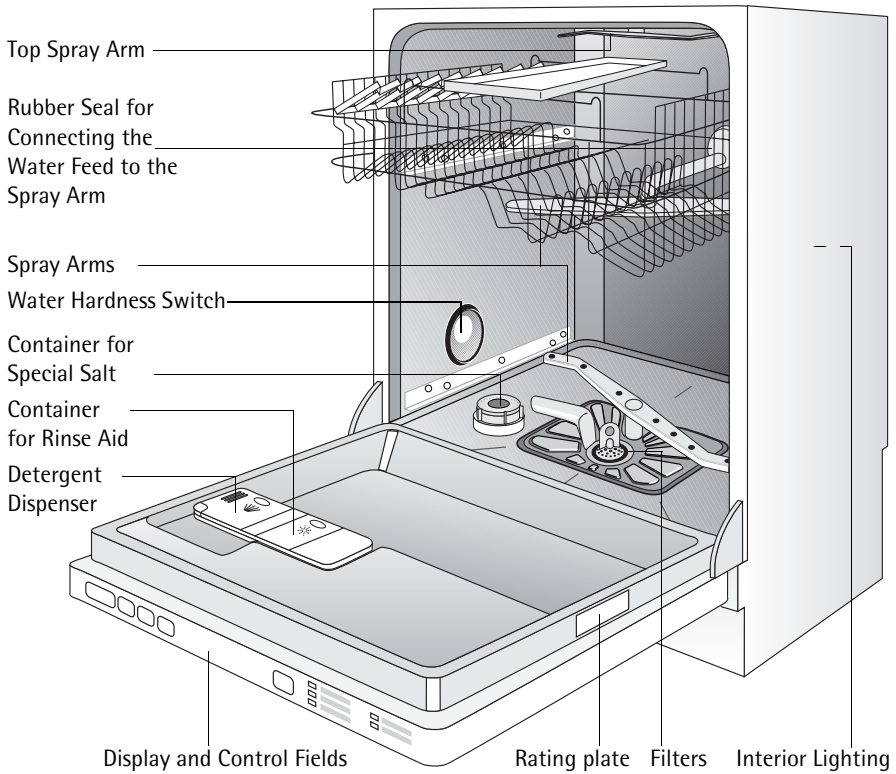
As and when you cease to use your dishwasher, please take it to a recycling centre or to your dealer who will, for a small contribution to the costs, dispose of it for you.



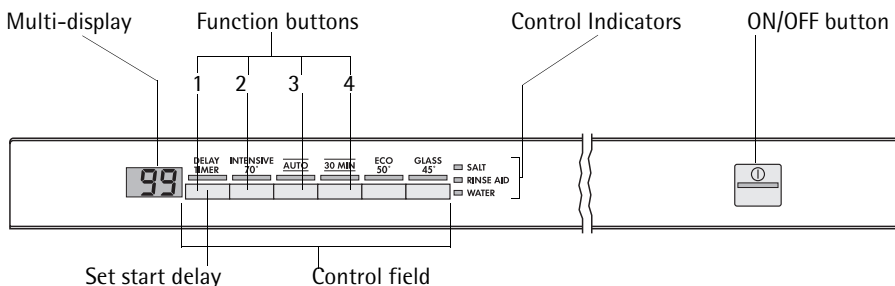
Economical and Ecological Dishwashing

- Only connect the dishwasher to the hot water supply if your hot water is not electrically heated.
- Ensure that the water softener is correctly adjusted.
- Do not pre-rinse dishes under running water.
- If you wash a small load, the load sensor calculates the amount of water necessary and shortens the programme. It is more economical to always wash with a full load.
- Select the wash programme to suit the nature and degree of the soiling on the dishes.
- Do not use more detergent, special salt or rinse aid than is recommended in these operating instructions and by the manufacturer of the respective product.
- The dishwasher's interior light is always switched on as long as the door of the appliance is open. To save energy you should therefore always close the door of the dishwasher after loading or removing dishes.

Appliance Features, Display and Control Fields



Display and control field



The **control field** comprises the cycle programme buttons and their LED indicators and the button used to set the start delay.

Function buttons: In addition to the dishwashing cycle and/or start delay selected, the following functions can also be set with the help of these buttons:

Function button 1	Set water softener
Function button 2	Activate/deactivate rinse aid inflow
Function button 3	Activate/deactivate acoustic signal
Function button 4	- not programmed -

The **multi-display** can indicate:

- the level of hardness to which the water softener is set.
- whether the rinse aid inflow has been activated/deactivated.
- whether the acoustic signal has been activated/deactivated.
- the start delay that has been set.
- the estimated time remaining for the current dishwashing cycle.
- what type of error has occurred with the dishwasher.

Control indicators have the following meanings:

SALT	Refill with special salt
RINSE AID	Refill with rinse aid
WATER	Open the tap



The indicators are never illuminated while a dishwashing cycle is running.

Prior to using for the first time

Prior to using for the first time, remove all the clips with which the dish racks are secured for transport. Then perform the following steps:

1. Adjust the water softener
2. Fill with Special Salt for the Water Softener
3. Fill with Rinse Aid

i Special salt and rinse aid must not be added if you use 3-in-1 detergent tablets.

Water softener

To avoid scale deposits on the dishes and in the dishwasher, the dishes must be washed with soft water, i.e. water with a low lime content. The dishwasher therefore has a built-in water softener, in which tap water with a hardness of 4°d (German degree) and harder is softened with the aid of special salt.

i Your water supplier will be able to inform you about the hardness and hardness range of the water in your area. The water softener can be set manually using the water hardness switch; it can also be set electronically using the buttons on the control panel.

Water hardness			Adjusting the hardness setting		Indication on the multi-display	Number of acoustic signals ¹
In °d ²	In mmol/l ³	Range	Manually	Electronically		
51 - 70	9,0 - 12,5	IV	1	10 ⁴	10L	10
43 - 50	7,6 - 8,9			9	9L	9
37 - 42	6,5 - 7,5			8	8L	8
29 - 36	5,1 - 6,4			7	7L	7
23 - 28	4,0 - 5,0			6	6L	6
19 - 22	3,3 - 3,9	III	0*	5	5L	5
15 - 18	2,6 - 3,2			4*	4L	4
11 - 14	1,9 - 2,5	II		3	3L	3
4 - 10	0,7 - 1,8	I/II		2	2L	2
under 4	under 0.7	I		1 no salt necessary	1L	1

- 1) The water hardness will only be indicated acoustically if the acoustic signal has been activated.
- 2) (°d) German degree, measure of the hardness of water
- 3) [mmol/l] millimol per litre, international unit for the hardness of water
- 4) On this setting the length of the dishwashing cycle may be slightly longer.
- *) Factory setting

Setting the water softener

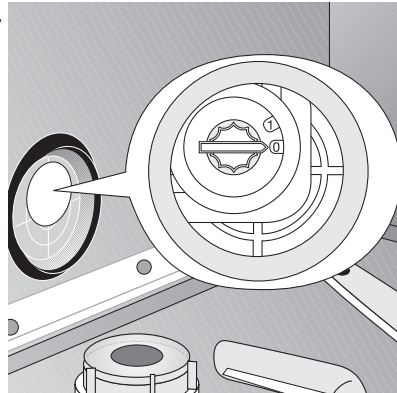
Using the table as a guide, adjust the water softener to that which corresponds to the hardness of the water in your area:



The dishwasher must be switched off.

Setting manually:

1. Open the dishwasher door.
2. Remove the lower rack from the dishwasher.
3. Turn the hardness range switch to 0 or 1 (see table).
4. Replace the lower rack.



Setting electronically:

5. Press the ON/OFF button.
The LED indicators for all the buttons in the control panel that are now able to be selected will become illuminated.



If the only LED indicator illuminated is one that belongs to a programme button, this means that this dishwashing cycle has been activated. The dishwashing cycle must be cancelled:

Press function buttons **2** and **3** simultaneously for approx. 1 second. The LED indicators for all the buttons in the control panel that are now able to be selected will become illuminated.

6. Press function buttons **2** and **3** simultaneously and keep them pressed. The LED indicators in function buttons **1** to **3** will flash.
7. Press function button **1**.
The LED indicator for function button **1** will flash.
The multi-display will indicate the hardness setting.
The number of the acoustic signals heard (only when the acoustic signal has been activated) also corresponds to the hardness setting.
8. Pressing function button **1** increases the hardness setting by 1. (Exception: hardness setting 1 follows hardness setting 10).

- When the hardness setting is correct, press the ON/OFF switch.
The hardness setting is now saved.

Special salt for the water softener



If the water hardness in your area is less than 4 °d, then the water in your dishwasher does not need to be softened and you do not need to use special salt or salt substitute.

Water can be softened in one of two ways:

- If you are using dishwasher detergent that already contains salt substitute, the detergent only is put into the detergent compartment.
 - In this case the water softener must **manually be set to 0 and electronically to 1** to ensure that no special salt is added.
- If you are using dishwasher detergent and special salt separately, the special salt is to be put into the salt supply container.
 - In this case the water softener must **manually be set to 0 and electronically to between 2 and 10** (depending on the water hardness in your area) to ensure that the special salt is taken from the detergent container only.



Use only special salt intended for dishwashers. Never fill the salt supply container with different types of salt (e.g. cooking salt) or detergent. This would destroy the water softener.

Prior to filling with salt, please check each time that you really do have a packet of special salt in your hand.

Setting the amount of special salt to be added



Some appliances are equipped with an additional **3 in 1** function. If you use 3-in-1 dishwashing tablets and select the **3 in 1** function together with the dishwashing cycle, the inflow of special salt does not have to be deactivated (see "**3 in 1** function").

- Set the water softener manually and electronically to the desired water hardness:

Manual setting	Electronic setting	Multi-display indicator	Addition of special salt
0	1		Do not add special salt.
0 - 1	2-10		Addition of special salt via salt supply container (factory setting)

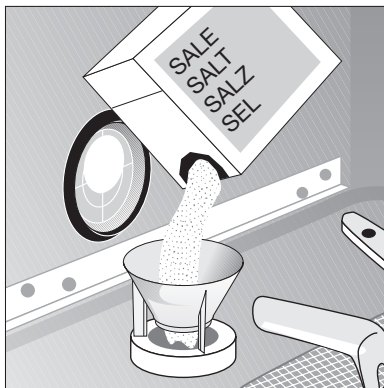
- i** If the water softener is electronically set at "1" for the purpose of using detergent that includes special salt, the special salt indicator is deactivated.

Adding special salt

If you are using dishwasher detergent and special salt separately, add the special salt:

- Before using the dishwasher for the first time.
- When the indicator for special salt **SALT** is illuminated on the control panel.

- 1.** Open the door, remove the lower rack.
- 2.** Undo the lid on the salt container by turning it anticlockwise.
- 3. Only when using for the first time:** fill the salt container with water.
- 4.** Place the funnel supplied on the container opening.
Fill the container with special salt through the funnel; the capacity of the container is approx. 1.0-1.5 kg depending on the grain size. Do not overfill the salt container with special salt.



- i** The water expelled by filling the salt container with special salt runs out of the salt container onto the base of the washing compartment. This is not a cause for concern, the water will be pumped out at the start of the next wash programme.
- 5.** Clean any salt remnants on the container opening.
- 6.** Turn the lid clockwise to the stop, otherwise special salt will leak into the wash water, this could lead to poor wash results. To avoid this run a rinse programme after filling the salt container with special salt. This will wash away salt water and any salt crystals that have been spilt.

- i** Depending on the size of the salt grains, it can take several hours for the salt to dissolve in the water and for the **SALT** indicator to extinguish.
The setting of the water softener and thus the consumption of salt are dependent on the hardness of the local water.

Rinse aid

Rinse aid ensures that your dishes gleam and are free from spots, and that your glasses are clear.

Rinse aid can be added in one of two ways:

- If you are using dishwasher detergent that already contains rinse aid, the detergent including the rinse aid is put into the detergent compartment.
 - In this case the dispensing of rinse aid from the supply container must be **deactivated** to avoid a double dosage.
- If you are using dishwasher detergent and rinse aid separately, the rinse aid is to be put into the rinse aid supply container.
 - In this case the dispensing of rinse aid from the supply container must be **activated**.
 - The amount of rinse aid to be dispensed **must** be set.



Use only branded rinse aid for dishwashers. Never fill the rinse aid container with any another substance (e.g. concentrated vinegar) or dishwasher cleaning agent. This would damage the appliance.

Activating/deactivating the inflow of rinse aid



Some appliances are equipped with an additional **3 in 1** function. If you use 3-in-1 dishwashing tablets and select the **3 in 1** function together with the dishwashing cycle, the inflow of rinse aid does not have to be deactivated (see "**3 in 1** function").

1. Press the ON/OFF button.

The LED indicators for all the buttons in the control panel that are now able to be selected will become illuminated.



If the only LED indicator illuminated is one that belongs to a programme button, this means that this dishwashing cycle has been activated. The dishwashing cycle must be deselected:

Press function buttons **2** and **3** simultaneously for approx. 1 second.

The LED indicators for all the buttons in the control panel that are now able to be selected will become illuminated.

2. Press function buttons **2** and **3** simultaneously and keep them pressed.

The LED indicators for function buttons **1** to **3** will flash.

3. Press function button **2**.

The LED indicator for function button **2** will flash.

The multi-display will indicate the current setting:

0d	Inflow of rinse aid is deactivated
1d	Inflow of rinse aid is activated (factory setting)


- Pressing function button **2** will change the setting.
- Once the multi-display is indicating the required setting, press the ON/OFF button.
The setting is now saved.

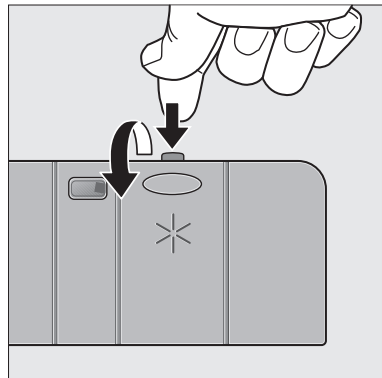
Adding rinse aid

If you are using dishwasher detergent and rinse aid separately, add the rinse aid:

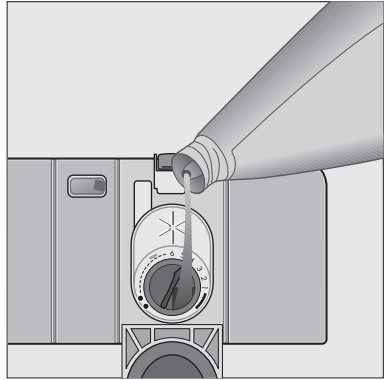
- Before using the dishwasher for the first time.
- When the **RINSE AID** indicator on the control panel is illuminated.

The rinse aid compartment is on the inside of the dishwasher door.

-  1. Open the door.
2. Press the rinse aid compartment release button with your finger.
3. Fully open the rinse aid compartment lid.



4. Fill with rinse aid exactly up to the level marked "max"; this corresponds to a quantity of approx. 140 ml.
5. Close the lid and press until it locks into place.
6. Wipe up any spilt rinse aid with a cloth. Otherwise too much foam will be formed during the wash.

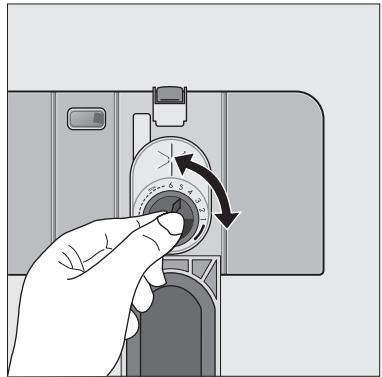


Adjusting Rinse Aid Dosing



As the dishes are washed rinse aid is released from the dispenser into the wash water. The dose is factory set at 4, and can be adjusted from 1 to 6. Only change the setting if streaks, milky spots or dried on water marks are visible on glasses or crockery.

1. Open the door of the dishwasher.
2. Press the rinse aid compartment release button with your finger.
3. Fully open the rinse aid compartment lid.
4. Set the dose level.
5. Close the lid and press until it locks into place.
6. If rinse aid has run out, wipe up with a cloth.



Activating/deactivating the acoustic signal

The acoustic signal can indicate acoustically:

- at which water hardness the water softener is set.
- when a dishwashing cycle has finished.
- when an error has occurred with the dishwasher.

You can switch on/off the acoustic signal in the following way:

1. Press the ON/OFF button.

The LED indicators for all the buttons in the control panel that are now able to be selected will become illuminated.



If the only LED indicator illuminated is one that belongs to a programme button, this means that this dishwashing cycle has been activated. The dishwashing cycle must be deselected:

Press function buttons **2** and **3** simultaneously for approx. 1 second. The LED indicators for all the buttons in the control panel that are now able to be selected will become illuminated.

2. Press function buttons **2** and **3** simultaneously and keep them pressed. The LED indicators for function buttons 1 to 3 will flash.
3. Press function button **3**.
The multi-display will indicate the current setting:

0 b	Acoustic signal deactivated
1 b	Acoustic signal activated (ex-factory setting)

4. Pressing function button **3** will change the setting.
5. Once the multi-display is indicating the required setting, press the ON/OFF button. The setting is now saved.

In Daily Use

- Is it necessary to refill with special salt or rinse aid?
- Load cutlery and dishes into the dishwasher
- Fill with dishwasher detergent
- Select a wash programme suitable for the cutlery and dishes
- Start the wash programme

Loading cutlery and dishes



Sponges, household cloths and any object that can absorb water may not be washed in the dishwasher.

For washing in the dishwasher the following cutlery/dishes	
are not suitable:	are of limited suitability:
<ul style="list-style-type: none"> • Cutlery with wooden, horn, china or mother of pearl handles • Plastic items that are not heat resistant • Older cutlery with cement that is not temperature resistant • Bonded cutlery items or dishes • Pewter or copper items • Lead crystal glass • Steel items subject to rusting • Wooden platters • Items made from synthetic fibres 	<ul style="list-style-type: none"> • Only wash stoneware in the dishwasher if it is specifically marked as being dishwasher-safe by the manufacturer. • Glazed patterns may fade if machine washed frequently. • Silver and aluminium parts have a tendency to discolour during washing. Left-overs, e.g. egg white, egg yolk and mustard often cause discolouring and staining on silver. Therefore always clean left-overs from silver immediately, if it is not to be washed straight after use. • Some types of glass can become dull after a large number of washes.

- Before loading the dishes, you should:
 - Remove large left-overs.
 - Soften remnants of burnt food in pans.
- When loading the dishes and cutlery, please note:
 - Dishes and cutlery must not impede the rotation of the spray arms.
 - Load hollow items such as cups, glasses, pans, etc. with the opening downwards so that water cannot collect in the container or a deep base.
 - Dishes and items of cutlery must not lie inside one another, or cover each other
 - To avoid damage to glasses, they must not touch
 - Do not lay small objects (e.g. lids) in the cutlery rack

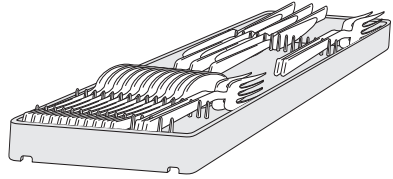
Loading Cutlery



Long, pointed items of cutlery are a hazard if placed in the cutlery basket, particularly to children (see Safety Instructions). They should therefore be placed in the upper rack.



Place knives, small spoons and small forks in the cutlery tray.

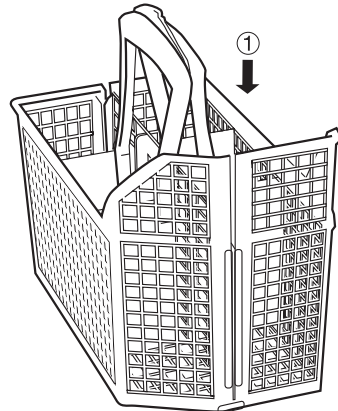
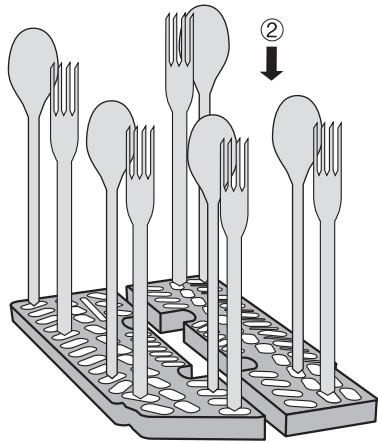


Place forks and spoons that do not fit in the cutlery tray in the cutlery basket.

To ensure that all items of cutlery in the cutlery basket are properly washed, you should




1. place the grid insert on the cutlery rack
2. place forks and spoons in the grid insert on the cutlery basket with the handle downwards.
3. For larger items of cutlery, e.g. a whisk, half of the top for the cutlery basket can be left off.

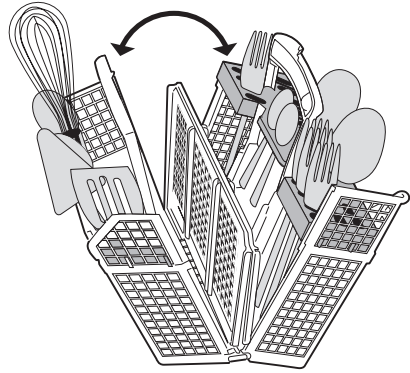


On some models of dishwasher it is possible to open the cutlery basket.



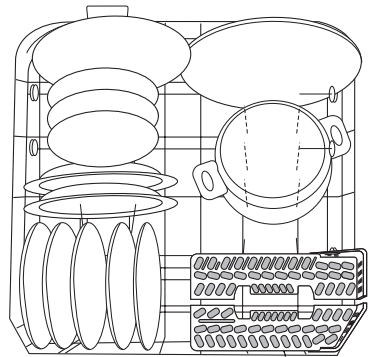
To ensure that the cutlery basket cannot open on removal from the appliance, you should always hold both parts of the two part handle.

-  **1.** Place the cutlery basket on a table or work surface
- 2.** open the two part handle
- 3.** remove cutlery
- 4.** close the two part handle.



Loading Pans, Frying Pans and Large Plates

Load large and heavily soiled dishes in the lower rack (Plates up to 29cm in diameter).

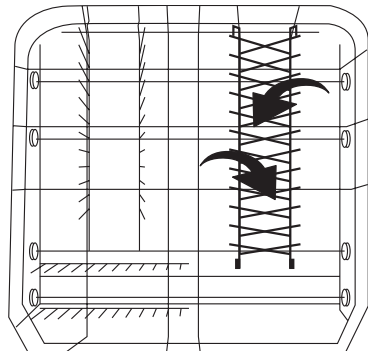


Your dishwasher has one of the following two types of lower rack:

Type 1: The right-hand plate inserts in the lower rack can be folded across one another



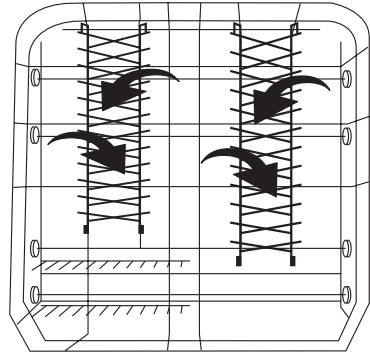
To ease the loading of large items, the two right-hand plate inserts in the lower rack can be folded across one another.



Type 2: The two rear plate inserts in the lower rack can be folded across one another

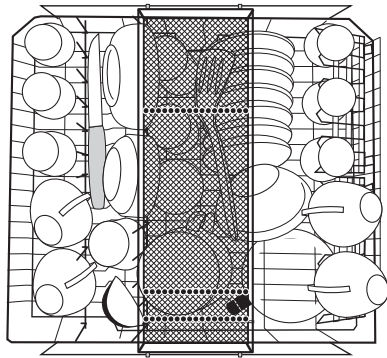


To ease the loading of large items, the two rear plate inserts in the lower rack can be folded across one another.

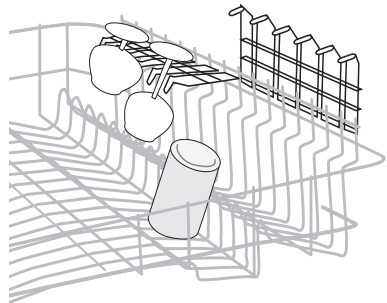


Loading Cups, Glasses and Coffee Services

Load small, delicate items and long pointed cutlery in the upper rack.



- Arrange items of crockery on the folding cups racks so that they are offset from each other and water can reach all items.
- The cup racks can be folded up out of the way for tall items.
- Lay or hang wine, champagne, and brandy glasses in the cut outs on the cup racks.
- Glasses, beakers, etc. can also be placed on the two rows of prongs on the left of the upper rack.



Adjusting the Height of the Upper Basket

	Maximum Height of the Dishes in the	
	Upper Basket	Lower Basket
With upper basket raised	22 cm	31 cm
With upper basket lowered	24 cm	29 cm



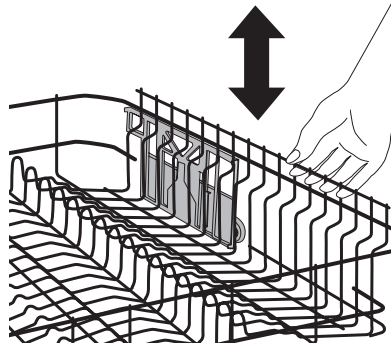
The height of the basket can also be adjusted when it is loaded.

Lowering the Upper Basket:

1. Pull the upper basket out completely.
2. Holding the upper basket at the rear right, lift it as far as it will go and then lower it vertically. The upper basket will engage in the lower position.

Raising the Upper Basket:

1. Pull the upper basket out completely.
2. Holding the upper basket at the rear right, lift it as far as it will go and then lower it vertically. The upper basket will engage in the higher position.



Filling with Detergent



Only use dishwasher detergent.

Fill with detergent:

– Prior to the start of a wash programme (not for the pre wash programme). The detergent is released into the wash water during the programme.

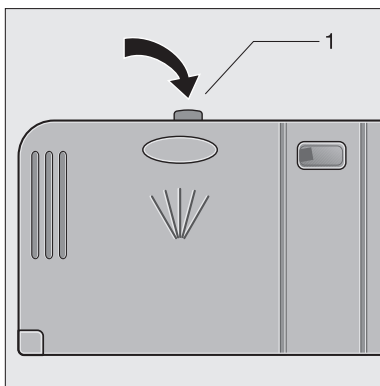


Please observe the manufacturer's dosing and storage recommendations as stated on the detergent packaging.

The detergent compartment is on the inside of the dishwasher door.



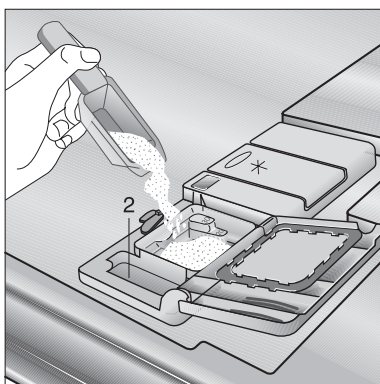
1. If the lid is closed: press release button (1). The lid springs open.



2. Fill the detergent dispenser with detergent. The markings indicate the dosing levels:
"20" corresponds to approx. 20 ml of detergent,
"30" corresponds to approx. 30 ml of detergent.
3. Close the lid and press until it locks into place.




If the dishes are very heavily soiled put additional detergent into the adjacent chamber (2). This detergent will take effect during the pre wash.



Use of "3 in 1"/ Combi Detergent Tablets

General Advice

These products are tablets with combined detergent/rinse-aid and salt functions.

-  1. Before using these products you should first check that the water hardness in your supply is compatible with the use of these products as per the detergent manufacturers instructions (on the product packaging).
2. These products should be strictly used according to the detergent manufacturers instructions.



Do not place the tablets in the tub or the cutlery basket as this will result in poorer wash results. The tablets should be placed in the detergent doser.

3. If you encounter problems when using "3 in 1" products for the first time then please contact the detergent manufacturers care line (the telephone number is given on the product packaging).

Special Advice

When using combination products, the rinse-aid and salt lights are no longer useful. It may be helpful therefore to switch the rinse aid off - please note that only some dishwashers have this facility - and selecting the lowest possible setting for water hardness.

For more information please refer to your instruction manual.

If you decide to switch to the use of a standard detergent system we advise that you:

- Refill both the salt and rinse aid compartments.
- Switch the waterhardness setting to the highest possible position and run for three normal cycles without a load.
- Readjust the waterhardness setting again according to the conditions for your region (as per the instruction manual).

Concentrated Detergent

Based on their chemical composition, dishwasher detergents can be split into two basic types:

- **conventional**, alkaline **detergents** with caustic components
- low alkaline **concentrated detergents** with natural enzymes.



The use of 50 °C wash programmes in conjunction with concentrated detergents reduces pollution and is good for your dishes; these wash programmes are specially matched to the dirt-dissolving properties of the enzymes in the concentrated detergent. For this reason 50 °C wash programmes in which concentrated detergents are used can achieve the same results that can otherwise only be achieved using 65 °C programmes.

Detergent tablets



Detergent tablets of different makes dissolve at different speeds. For this reason some detergent tablets cannot develop their full cleaning power during short programmes. Therefore please use wash programmes with pre wash when using detergent tablets.

Automatic Wash Programmes

During the AUTOMATIC programmes the amount of soiling on the dishes is determined by how cloudy the water is.

If the appliance is partially loaded and the dishes lightly soiled, the "pre wash", "main wash" and "rinsing" elements of the programme are shorter and the water consumption level is lower.

If the appliance is fully loaded and the dishes heavily soiled, the "pre wash", "main wash" and "rinsing" elements of the programme are longer and the water consumption level is higher.

For this reason the programme duration, water and energy consumption levels can vary within the stated range for AUTOMATIC programmes (see Programme Table).

In this way, the dishes are always optimally washed while water and electricity consumption are kept low.

During AUTOMATIC programmes the temperature of the wash water is also automatically adjusted to between 50 °C and 65 °C depending on the amount of soiling on the dishes.


Selecting the Wash Programme (Programme Table)


Choose the most suitable wash programme with the aid of this table:

Type of dishes	Dinner service and cooking items		Dishes without Pans	Coffee service and dessert dishes	
In Addition	-	-	-	with non-temperature resistant dishes	with delicate glasses
Type of soiling	<ul style="list-style-type: none"> heavily soiled dried-on leftovers, in particular egg white and thickeners 	<ul style="list-style-type: none"> normally soiled dried-on leftovers 	<ul style="list-style-type: none"> just used, average to slightly soiled 	<ul style="list-style-type: none"> normally to lightly soiled 	<ul style="list-style-type: none"> lightly soiled
			particularly suitable when concentrated detergents are used.		
Suitable Wash-Programme	INTENSIVE 70°	AUTO	30 MIN ¹	ECO ² 50°	GLASS 45°
Programme Sequence ³	Pre-wash Main wash 2x intermediate rinses Final rinse Dry	Pre-wash Main wash Intermediate rinse Final rinse Dry	- Main wash - Final rinse -	Pre-wash Main wash Intermediate rinse Final rinse Dry	- Main wash 2x intermediate rinses Final rinse Dry
Consumption Figures ⁴	↓	↓	↓	↓	↓
Duration ⁵	110 - 120 min.	90 - 110 min.	30 min.	130 - 150 min.	73 min.
Energy	1.75 - 1.95 kWh	1.00 - 1.50 kWh	0.8 kWh	0.95 - 1.05 kWh	0.9 kWh
Water	23 - 25 litres	13 - 25 litres	9 litres	12 - 14 litres	15 litres


- 1) This programme is not suitable when left-overs have dried on.
- 2) Test programme for test institutes
- 3) Noise levels vary at different stages of the wash programme as at some programme stages the dishes are washed more energetically so that they will be cleaned more thoroughly.
- 4) The consumption figures were determined under standard conditions. They are intended as a guide only and depend on the loading. For this reason figures may vary in practice.
- 5) When the hardness setting is electronically adjusted to 10, the length of the dishwashing cycle may be slightly longer.


Starting a dishwashing cycle


-  1. Check that dishes and cutlery are arranged in the dishwasher so that the spray arms can turn freely.
2. Turn the water tap on fully.
3. Press the ON/OFF button.
The LED indicators of all the buttons on the control panel that can now be selected light up.
4. Press the programme button for the required cycle (see "Cycle table").
The programme indicator comes on.
The remaining time expected for the cycle will be shown in the multi-display.

 This remaining time may be adjusted according to the size of the load, degree of soiling, etc.


5. Close the dishwasher door.
The dishwasher cycle starts.
A light signal in the form of a dot appears at floor level.

 If the dishwasher is built in at high level with flush fitting cupboard doors, the light signal cannot be seen.


 The dot shaped light signal is not dangerous. (It is not a laser.) It is lit while a dishwasher cycle is running and goes out when the cycle ends.

 If after the start of the cycle fault codes are displayed in the multi-display and/or acoustic fault codes can be heard, please read the section "What to do, if ..."

Changing/interrupting/cancelling a dishwasher cycle

 Only change or interrupt a dishwashing cycle that is in progress if it is absolutely necessary. After the appliance is closed again, the air that has entered is heated up to a high degree and expands. This can allow water into the bottom reservoir and may trigger the anti-flood system.


Changing a dishwasher cycle

 If you want to change the dishwasher cycle before closing the dishwasher door, briefly press the button for the new dishwasher cycle.


If you want to change the dishwasher cycle after the cycle has started, proceed as follows:




Hot steam may escape when the dishwasher door is opened. There is a risk of scalding. Therefore:

-  **1.** Open the dishwasher door carefully.
The dishwasher cycle will stop.
- 2.** Press the button for the new dishwasher cycle and hold it down.
Then the indicator for the current cycle will flash.
After a few seconds just the indicator for the new dishwasher cycle will be lit.
- 3.** Release the programme button.
- 4.** Close the dishwasher door.
The newly selected dishwasher cycle begins from the start.

Interrupting the dishwasher cycle by opening the dishwasher door

-  **1.** Open the dishwasher door.
The dishwasher cycle will stop.
- 2.** Close the dishwasher door.
The dishwasher cycle will continue.


Cancelling a dishwasher cycle

-  **1.** Open the dishwasher door.
- 2.** Press function buttons **2** and **3** and keep them pressed down for about 1 second.
The LED indicators of all the buttons on the control panel that can now be selected light up.
- 3.** Release the function buttons.
The dishwasher cycle has been cancelled.
- 4.** Switch off the dishwasher using the ON/OFF button.

Setting or changing the start delay

Using the start delay timer you can adjust when within the next 19 hours the dishwashing cycle is to begin.

Setting the start delay:

-  **1.** Open the door of the dishwasher.
- 2.** Press the ON/OFF button.
The LED indicators for all the buttons in the control panel that are now able to be selected will become illuminated.
- 3.** Continue pressing the **DELAY TIMER** button until the number of hours of delay until the dishwashing cycle is to start is flashing in the multi-display.

4. Press the button for the desired dishwashing cycle.
The length of the selected dishwashing cycle will flash for a moment in the multi-display, and then the selected starting time will be displayed again.
5. Close the door.
The dishwashing cycle will start automatically following a countdown of the hours set.

Changing the start delay:


As long as the dishwashing cycle has not started, you can still change the start delay set by pressing the **DELAY TIMER** button.

Cancelling the start delay:

As long as the dishwashing cycle has not started you are still able to cancel the start delay. Continue pressing the **START DELAY** button until the length of the selected cycle appears in the multi-display. The selected dishwashing cycle will begin immediately after the dishwasher door has been closed.

Changing the dishwashing cycle after the start delay has been set:

As long as the dishwashing cycle has not started, you are still able to change the start delay set by pressing a cycle button.

-  1. Press the button for the new dishwashing cycle and hold it down.
First, the indicator for the dishwashing cycle that has just been selected will flash.
After several seconds only the indicator for the new dishwashing cycle will be flashing.
2. Release the cycle button.
3. Close the door.
The dishwashing cycle will start automatically following a countdown of the hours set.

Load Sensing – Sensor Logic

If a wash programme is started even though there are only a few dishes in the upper and/or lower rack, an intelligent electronic system adjusts the amount of water and the duration of the wash programme to the number of dishes. By this means it is possible to wash only a few dishes quickly and economically. At half load (6 place settings), up to 2 litres of water and 0.2 kWh of electricity are saved.

Switching off the dishwasher

When the dishwasher cycle has ended, the dot shaped light signal on the floor below the door of the appliance goes out.

If the acoustic signal is activated, at the end of the dishwasher cycle a 15 second long continuous acoustic signal is heard.



Hot steam may escape if the door is opened immediately after the end of the cycle. Therefore:



1. Open the door carefully.

2. Switch off the dishwasher using the ON/OFF button.

All display indicators will go out.

If the dishwasher is not switched off, then the acoustic signal is repeated after 3 minutes and after 6 minutes.

Removing the dishes



- Hot dishes are sensitive to knocks. Therefore leave the dishes to cool before removing them.
- Leave the dishes in the dishwasher for approx. another 15 minutes after the end of the cycle for a better drying result and to allow them cool down.
- Empty the lower basket first, then the upper basket. This way you avoid dripping any water remaining in the upper basket onto dishes in the lower basket and leaving water stains.

Care and Cleaning



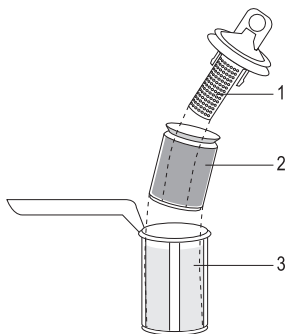
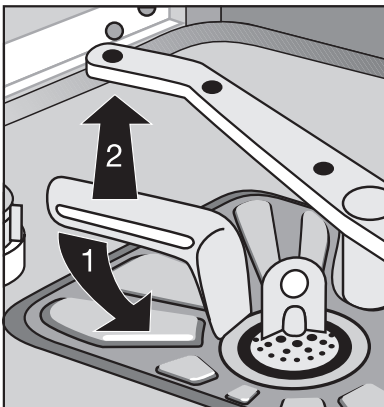
Do not under any circumstances use furniture care products or aggressive cleaners.

- If necessary, clean the controls only with a soft cloth and pure warm water.
- Occasionally check the internal containers, door seal, and water inlet for soiling, clean if necessary.

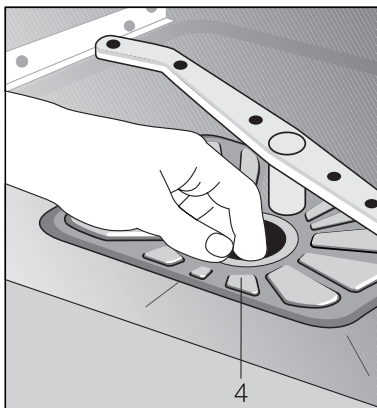
Cleaning the Filter

- i** The filters in the base of the washing compartment are to a large extent self-cleaning. Nevertheless the filters should be checked and cleaned from time to time. Dirty filters will degrade the washing result.

- 1.** Open the door, remove the lower rack.
- 2.** The dishwasher filter system comprises a coarse/fine filter, microfilter and a flat filter. Unlock the filter system using the handle on the microfilter, and remove.
- 3.** Turn the handle about ¼ a turn anti-clockwise and remove.
- 4.** Take hold of the coarse/fine filter (1/2) by the handle with the hole and remove from the microfilter (3)
- 5.** Clean all filters thoroughly under running water.
- 6.** Remove the flat filter (4) from the base of the washing compartment and clean both faces thoroughly



- 7.** Put the flat filter back in the base of the washing compartment
- 8.** Place the coarse/fine filter in the microfilter and press together.
- 9.** Put the filter combination in place and lock by turning the handle clockwise to the stop. During this process ensure that the flat filter does not protrude above the base of the washing compartment.



- !** Under no circumstances may the dishwasher be used without filters.

What to do, when ...

Try to rectify minor faults on the dishwasher with the aid of the instructions given here. If you call in customer service to resolve one of the malfunctions listed here, or rectify an error made in the operation of the appliance, the customer service engineer's visit is not free of charge, even during the period of guarantee.

...Error messages are displayed.

If your appliance is equipped with an optical floor signal, in the event of an error a dot-shaped optical signal will flash on the floor.



Errors will only be indicated acoustically if the acoustic signal has been activated.

If, as listed in the table below, any of the indicators in the control panel or the display panel are flashing or are illuminated, and/or if an acoustic signal can be heard, you can probably rectify the fault yourself.

Malfunction	Possible cause	Remedy
<p>One continuously repeated warning tone can be heard; the cycle indicator for the selected cycle is flashing; The WATER indicator is continuously illuminated: error code i is displayed in the multi-display: There is no water running into the dishwasher.</p>	The tap is blocked or furred with lime-scale.	Clean tap.
	The tap is turned off.	Turn the tap on.
	The filter (where present) in the threaded hose fitting at the water inlet valve is blocked.	Clean the filter in the threaded hose fitting.
	Filters in the base of the washing compartment are blocked.	Press the button for the commenced dishwashing cycle; then abort the dishwashing cycle (see chapter: Starting a dishwashing cycle); Clean out the filters. (See chapter: Cleaning the filters)
	The water inlet hose has not been correctly laid.	Check hose installation.

Malfunction	Possible cause	Remedy
Two short continuously repeated warning tones can be heard, the cycle indicator for the selected dishwashing cycle is flashing, error code i 20 is displayed in the multi-display.	The siphon is blocked.	Clean out siphon.
	The water drain hose has not been correctly laid.	Check hose installation.
Three short continuously repeated warning tones can be heard, error code i 30 is displayed in the multi-display.	The leak prevention system has been triggered.	Turn off the tap and contact customer service.

After rectifying an **i 10** or **i 20** error, press the button for the commenced dishwashing cycle. The dishwashing cycle will continue. If the fault is displayed again, please contact customer service.



For all other errors displayed, please contact customer service stating the error code (see chapter: Customer service).

...there are problems with the operation of the dishwasher.

Malfunction	Possible Cause	Remedy
The programme does not start.	The door of the dishwasher is not closed properly.	Shut the door.
	Mains plug is not plugged in.	Insert mains plug.
	House fuse is defective.	Replace fuse.
	In the case of dishwasher models with start delay timer: A start delay is selected.	If dishes are to be washed immediately cancel delay start timer.
Rust spots are visible in the washing compartment.	The washing compartment is made of corrosion-resistant stainless steel. Rust spots in the washing compartment are from particles from outside the appliance (rust particles from the water pipe, from pans, cutlery, etc.). Remove such spots with a commercially available stainless steel cleaner.	Only wash cutlery and dishes that are suitable for dishwasher use.
		Close the lid of the special salt container securely.
There is a whistling noise during washing.	The whistling is not a cause for concern.	Use a different brand of detergent.
Dishwasher interior lighting does not work.	Mains plug is not plugged in.	Insert mains plug.
	Light bulb for the interior lighting is defective.	Contact customer service.

...the wash result is not satisfactory.

The dishes are still dirty.

- The wrong wash programme was selected.
- The dishes were arranged in such a manner that water has not reached all parts. The dish racks must not be overloaded.
- The filter in the base of the washing compartment is dirty or incorrectly positioned.
- Detergent was not used or too little was used.
- In the case of scale deposits on the dishes: the special salt container is empty or the water softener is incorrectly adjusted.
- The drain hose is incorrectly laid.

The dishes are wet and dull.

- Rinse aid was not used.
- The rinse aid container is empty.

There are streaks, milky spots or a bluish coating on glasses and dishes.

- Decrease rinse aid dosing.

There are dried water drops on the glasses and dishes.

- Increase rinse aid dosing.
- The detergent may be the cause. Contact the detergent manufacturer's consumer advisor.

Technical Data

Capacity:	12 place settings including serving dishes
Permitted Water Pressure:	1-10 bar (=10-100 N/cm ² = 0.1-1.0 MPa)
Electrical Connection:	Information on the electrical connection is given on the rating plate on the inner edge of the dishwasher door on the right.
Dishwasher: Free-Standing Appliances	
Dimensions:	850 x 598 x 598 (H x W x D in mm)
Max. Weight:	54 Kg
Dishwashers that Can Be Integrated, Built-In Dishwashers	
Dimensions:	820 – 880 x 596 x 570 (H x W x D in mm)
Max. Weight:	50 Kg
Dishwashers that Can Be Fully Integrated	
Dimensions:	820 – 880 x 596 x 546 (H x W x D in mm)
Max. Weight:	50 Kg

- CE** This appliance conforms with the following EU Directives:
- 73/23/EWG dated 19. 02. 1973 – Low Voltage Directive
 - 89/336/EWG dated 03. 05. 1989
(including Directive Amendment 92/31/EWG) – EMC Directive

Notes for Test Institutes

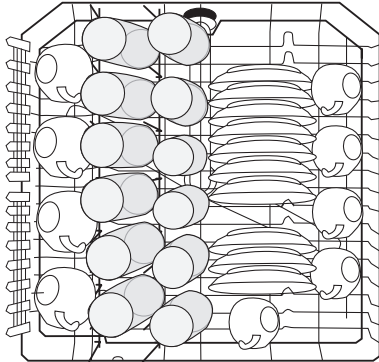
Testing in accordance with EN 60704 must be carried out with the appliance fully loaded and using the test programme (see Programme Table).

Tests in accordance with EN 50242 must be carried out when the salt dispenser and rinse aid container have been filled with salt and rinse aid respectively and using the test programme (see Programme Table).

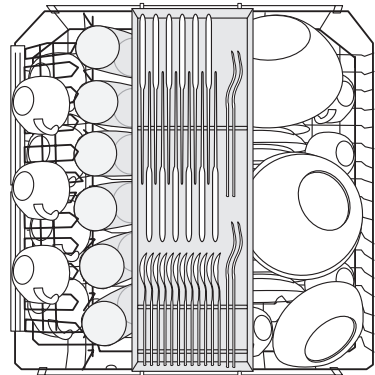
	Full Load: 12 place settings incl. serving dishes	Half Load: 6 place settings incl. serving dishes, leaving alternate positions free
Detergent Dosing:	5g + 25g (Type B)	20g (Type B)
Rinse Aid Setting:	4 (Type III)	4 (Type III)

Sample loading arrangements:

Upper basket without cutlery tray *

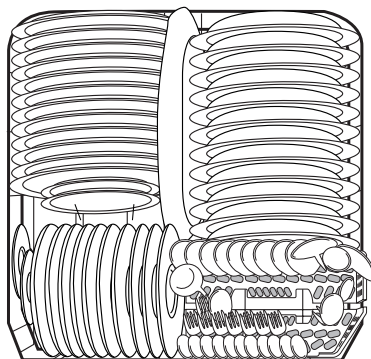


Upper basket with cutlery tray *

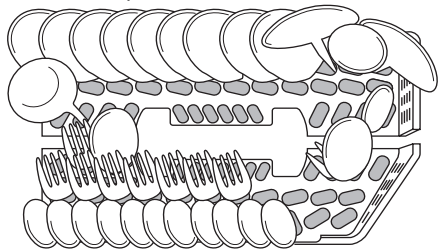


* If necessary, move the cup rest from right to left. When doing this, ensure that the cup rest is at the same height.

Lower basket with cutlery basket



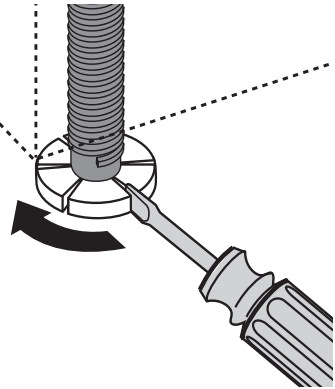
Cutlery basket



INSTALLATION AND CONNECTION INSTRUCTIONS

Installing the Dishwasher

- The dishwasher must be installed on a firm floor and adjusted to ensure that it is stable and level.
- To compensate for unevenness in the floor and to match the height of the appliance to that of surrounding units extend the threaded feet by unscrewing:
 - use a screwdriver.
- For built-in, integrated and fully integrated dishwashers, the rear feet should be adjusted from the front of the appliance using a screwdriver.
- The drain hose, inlet hose and mains cable must not be kinked or crushed when the dishwasher is in position.
- In addition, the dishwasher must be firmly screwed to the work surface or to the neighbouring units. This is essential to ensure the dishwasher does not tip.



Installing the Furniture Door

(see installation stencil supplied)



The door of the appliance can be fitted with a wooden furniture door of the following dimensions:

Width:	591 mm – 594 mm
Thickness:	16 mm – 24 mm
Height:	max. 715 mm
Weight:	max. 10 kg

Connecting the Dishwasher

Water Connection

The dishwasher is fitted with safety devices that prevent the wash water returning into the drinking water system and comply with the applicable plumbing regulations.

- The dishwasher can be connected to cold and hot water supplies up to max. 60 °C.
- The dishwasher **must not** be connected to open hot water appliances or instantaneous water heaters.

Permitted water pressure

Lowest permitted water pressure: 1 bar (=10 N/cm ² =100 kPa)	Consult your installer if the water pressure is less than 1 bar.
Highest permitted water pressure: 10 bar (=100 N/cm ² =1 MPa)	In the case of a water pressure greater than 10 bar, a pressure reduction valve must be used (available from your dealer).

Connect the inlet hose



The water inlet hose must not be kinked, crushed or entangled when it is being connected up.



Connect the threaded hose fitting (ISO 228-1:2000) on the water inlet hose to a tap with an external thread (¾ inch). The inlet hose is equipped either with a plastic or with a metal connection nut:

- **Tighten plastic** hose connection nuts **by hand** only.
- **Metal** hose connection nuts **must be tightened using an appropriate tool**. Finally, visually check that it is water-tight (ensure that the tap is not dripping).



- In order that access to the tap in the kitchen is not limited by the use of the dishwasher, we recommend the installation of an additional tap, or fitting a two way adapter to the existing tap.
- If you need a longer water inlet hose than that supplied, VDE approved complete hose sets are to be used. These are available from your local Service Force Centre.



The following section is only applicable to dishwashers that have a safety valve on the threaded hose fitting for the tap:

Water inlet hose with safety valve

After connecting the double-walled water inlet hose, the safety valve is next to the tap. Therefore the water inlet hose is only under pressure while the water is running. If the water inlet hose starts to leak during this operation, the safety valve cuts off the running water and the draining pump in the dishwasher is switched on.



Please take care when installing the water inlet hose:

- The electrical cable for the safety valve is in the double-walled water inlet hose. Do not immerse the water inlet hose or the safety valve in water.
- If the water inlet hose or the safety valve is damaged, remove the mains plug immediately.
- A water inlet hose with safety valve must only be replaced by a specialist or Customer Services.

Water drain

Drain hose

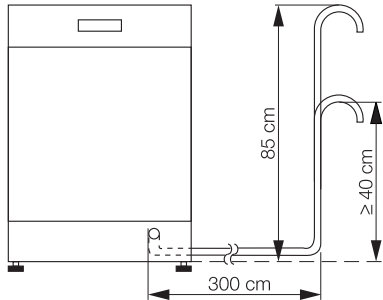


The drain hose must not be kinked, crushed or entangled.

- Connecting the drain hose:
 - Maximum permitted height: 1 metre.
 - Minimum required height 40 cm above the lower edge of the machine.

Extension hoses

- Extension hoses are available from your dealer or customer service. The internal diameter of the extension hoses must be 19 mm to ensure that the function of the appliance is not impeded.
- Extension hoses may be laid a maximum of 3 metres horizontally; the maximum permitted height for the connection for the drain hose is then 85 cm.



Sink outlet connection

- The outlet of the drain hose (\varnothing 19 mm) fits all commonly available sink outlet spigot types. The outer diameter of the spigot connection must be at least 15 mm.
- The drain hose must be fixed to the sink outlet connection using the hose clamp supplied.

If the dishwasher is fitted at a high position

If the dishwasher is installed at a high level, and the drain hose connection is less than 30 cm from the bottom of the appliance, adapter kit ET 111099520 must be fitted. This is available from Customer Service.

Water drain into wash basins (only possible with free-standing appliances)

In the case that you wish to hang the drain hose in a wash basin, use a detachable hose elbow. You can obtain this from AEG customer service under spare part number ET 646 069 190.



1. Fit the elbow to the drain hose.
2. Secure the drain hose against sliding off the edge of the wash basin. Pass a piece of cord through the hose elbow and fix it to the wall or the tap.

Leak prevention system

To avoid damage caused by water leakage, the dishwasher is equipped with a leak prevention system.

In the event of a fault, the safety valve in the appliance immediately interrupts the inflow of water and the drain pump is activated. In this way water can neither escape nor overflow. Any remaining water in the appliance is automatically pumped out.

In the event of a fault when the appliance is switched on, a buzzing tone can also be heard.

Electrical connection



In compliance with electric company technical requirements for mains connections, hard-wired connections to the mains may only be made by approved electricians.

When connecting the appliance, observe the German VDE regulations and, if applicable, any additional conditions required by your local electricity supplier. Following installation, live parts and live insulated wiring must not be accessible using a finger test in accordance with EN 60335/DIN VDE 0700.

Information on the electrical connection can be found on the rating plate on the right side of the inner edge of the dishwasher door. If the appliance has a change-over switch, the additional instructions on the change-over diagram in the mains connector box must be observed.

Prior to connecting ensure that the mains voltage and current rating at the site of installation match the nominal voltage and current rating given on the rating plate. The required fuse protection is also to be found on the rating plate.

To isolate the dishwasher from the mains, remove the mains plug.

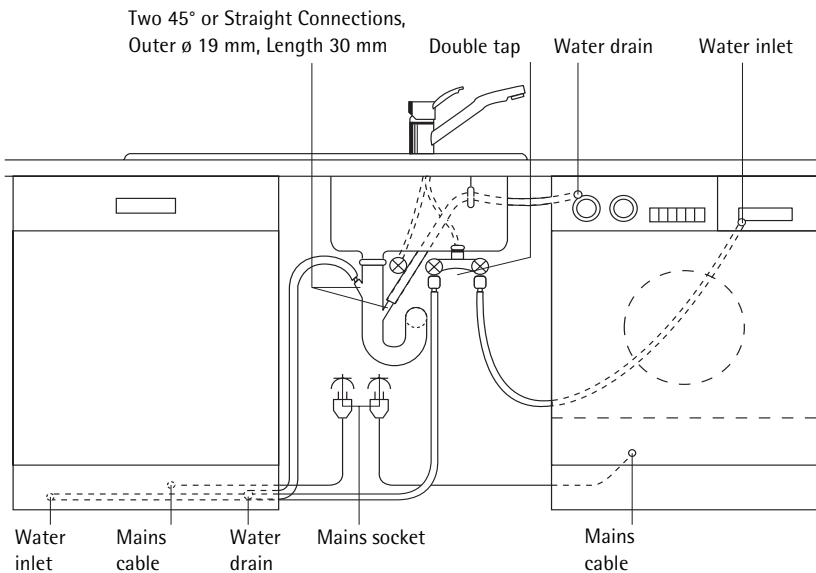
Important: The plug must still be accessible after the appliance has been installed.

If the appliance is hard-wired to the mains supply, then it must be safely isolated from the mains within the electrical installation with switches intended to ensure **all-pole(N,L1)** disconnection, shall be directly connected to the supply terminals and shall have a contact separation (fuses, cut outs, current trips or similar) of at least 3mm in each pole.

Connections

The water inlet and drain hoses, as well as the mains cable must be connected beside the dishwasher as there is insufficient space behind the appliance.

The plumbing and electrical installation example given below can only be regarded as a recommendation; the actual situation where the dishwasher is to be installed will define the exact installation (available connections, local electricity and water board regulations for connecting up appliances, etc.).



SERVICE DEPARTMENTS

U.A.E. Abu Dhabi

Universal Trading Company
P.O. Box 43 99
Tel.: 335331

Egypt

Middle East Commercial
Center
P.O. Box 19
Kairo-Heliopolis
Tel.: 29917/31634

Australia

ANDI-Co Pty. Ltd
9 Kingston Town Close
Oakleigh VIC 3166
Tel.: (03) 9569 1235
Fax: (03) 9569 1450

Bahrain/Arabian Gulf

A.A. Zayani & Sons
P.O. Box 9 32
Bahrain
Tel.: 261060

Bulgaria

Electrolux Bulgaria E.O.O.D.
91 Levski Blvd.
1000 Sofia
Tel.: 2 806676
Fax. 2 980 5276

Cyprus

Hadjikyrakos & Sons Ltd.
Prodromou 121
P.O. Box 21587
Nicosia 1511
Service Telephones:
Nicosia 02 481226
Limassol 05 562182
Larnaca 04 633929
Paphos 06 932 699

Jordan

Jordan Household
Supply Co. Ltd.
P.O. Box 3/68
Amman/Tel.: 69 70 50

Canada

EURO-LINE Appliances
2150 Winston PARK Drive 20
Oakville, Ontario L6H 5V1
Tel.: 905 829 3980
Fax: 905 829 3985

Korea (South)

Core Incorp.
3/F Chewoo Bldg.
200 Nonhyun-Dong
Kangnam-Ku
Seoul
Telefon 82 2 549 89 61

Croatia

Electrolux D.O.O.
Suplova 7
10000 Zagreb
Tel.: 1 61 19512
Fax: 1 61 19513

Kuwait/Arabian Gulf

Ali Al-Ghanim Est.
P.O. Box 10 83
Tel.: 5322463
Fax: 5242114

Lebanon

Adib & Assaferi
P.O. Box 539
Tripoli

Malta

ITC
International Trading Com-
pany
White House Building
Mountbatte Street
Blata L-Bajda/Tel.: 220644

Mauritius

Happy World Centre Ltd.
P.O. 7 54
1 Chaussee Street
Port Louis
Tel.: 25355

Namibia

AEG NAMIBIA (PTY) LIM-
ITED-Jeppe Street
Northern Industrial Area
Windhoek
Tel.: (061) 21-6082/4
Fax: (061) 217838

New Zealand

Euro-Life New Zealand Ltd.
Privat Bag
58 Symonds Street
Auckland
Tel.: (09) 525 2222

Nouvelle Calédonie

Socometra N.C.
B.P. 483
Nouman
Tel.: 275444

Oman

Moshin Haider Darwish
P.O. Box 1 35
Muscat
Tel.: 703743

Estonia

Electrolux Estonia Ltd.
 Mustamäe tee 24
 EE0006 Tallinn
 Tel.: (372) 6 650 090
 Fax: (372) 6 650 092

Hongkong

Wo Kee Services Ltd.
 585-609 Castle Peak Road
 Kwai Chung N.T.
 Hongkong
 Tel.: 2494 4000

Israel

Electricity & Electronic
 Services-Evis LTD.
 19 Hataasia st.
 Raanana, Industrial area 43654
 Tel: 972-9-7448118
 Fax: 972-9-7603618
 e-mail: evis@evis.co.il

Japan

Electrolux Japan Ltd.
 Domestic Appliances Department
 Maruzen Showa Warehouse Building
 Tookai 4-5-12, Ota-ku
 143-006 Tokyo
 Tel.: 0120-13-7117
 Fax: 03-3790-5257

Thailand

OLYMPIA Thai Ltd.
 44 Ratchadapisek Road
 10320 Bangkok
 Tel.: 2 513 6111
 Fax: 2 513 2574

Hungary

Electrolux Lehel KFT
 (AEG Div)
 Erzsébet Királyné útja 87.
 1142 Budapest
 Tel.: 00361/467-3200

Latavia

Electrolux Latavia Ltd.
 Terlaton Street 42/44
 1011 Riga
 Tel.: 371 2 297821
 Fax: 371 2 821286

Lthuania

Electrolux Lthuania
 Verkui 29
 2600 Vilnus
 Tel.: 372 272 3326
 Fax: 372 272 3366

Malaysia

Arzbergh Engineering
 No. 49A/B, Jalan Petaling Utama
 7
 4600 Petaling Jaya
 Tel.: 3 795 1084
 Fax: 3 795 1082

Singapore

Arzbergh Engineering
 19 Tanglin Road 06-07
 Singapore 247909
 Tel.: 65 7356572
 Fax: 7351124

Slovakia Rep.

Electrolux Slovakia S.R.O.
 Seberiniho 1
 821 03 Bratislava
 Tel.: 02 4333 4322, 4355
 Fax: 02 4333 6976

Syria

Masri & Shami
 P.O. Box 24 96
 Damascus
 Tel.: 214080

Poland

Electrolux Poland Sp. zo.o.
 ul. Domaniewska 41
 02-034 Warszawa
 tel.: 022 874 33 33
 fax: 022 874 33 00

Russia

Electrolux Russia Ltd.
 16 Olimpiysky prospekt
 129090 Moscow
 Tel.: (095) 937 7837
 Fax: (095) 926 5513

Saudi Arabia

Alia Trading Corporation
 P.O. Box 4101
 King Abdul Aziz Street
 Riyadh
 Tel.: 4645977
 Al Nahas Est.
 Musaidia Market I
 P.O. Box 1 15 29
 Jeddah
 Tel.: 6606852

Slovenia

Electrolux Slovenia D.O.O.
 Traska Ul. 132
 1000 Ljubljana
 Tel.: 61 1234 137
 Fax: 61 1234 238

South Africa

AEG (Pty) Ltd.
 55, 12th Road
 P.O. Box 1 02 64
 Kew/Johannesburg 2000
 Tel.: 8069111

GUARANTEE CONDITIONS

Weitere Kundendienststellen im Ausland

In diesen Ländern gelten die Garantiebedingungen der örtlichen Partner. Diese können dort eingesehen werden.

Further after-sales service agencies overseas

In these countries our AEG agents' own guarantee conditions are applicable. Please obtain further details direct.

Autres agences étrangères assurant le service après-vente

Dans ces pays, les conditions de garantie des concessionnaires de la région sont valables. Vous pouvez les consulter sur place.

Otros puntos de Postventa en el extranjero

En estos países rigen las condiciones de nuestros representantes locales, las cuales pueden ser consultadas allí mismo.

Ulteriori uffici del servizio tecnico assistenza clienti all'estero

In questi paesi sono valide le condizioni di garanzia dei partner locali. Queste condizioni possono essere esaminate sul luogo.

Serviços de assistência técnica no estrangeiro

Nestes países são válidas as condições de garantia dos concessionários locais, podendo aí ser consultadas.

További vevőszolgálati irodák külföldön

Ezekben az országokban a mi AEG vevőszolgálatainknál saját jótállási feltételek alkalmazhatók. A további adatokat kérjük közvetlenül szerezék be.

Servisne službe

Na garancijskem listu boste našli seznam pooblaščenih servisnih služb AEG.

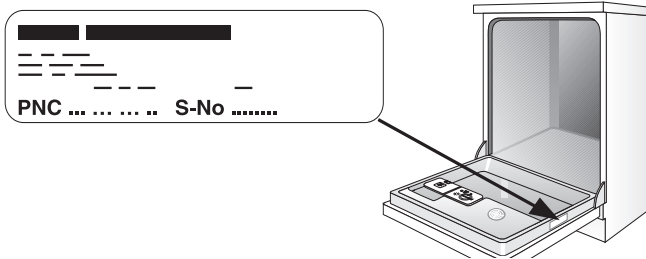
SERVICE

In the section "What to do, if..." the most important sources of faults that you can rectify yourself are summarised.

If, nevertheless, you call in customer service to resolve a problem listed in these instructions, or because of an error made in operating the appliance, the customer service engineer's visit is not free of charge, even during the warranty period.

If you can not find any information on a specific malfunction in these operating instructions, please contact customer service.

Please provide customer service the PNC number and the S No. (serial number), you can find these on the rating plate. The plate is on the inner edge of the door on the right.



So that you always have these numbers at hand, we recommend you to make a note of them here:

PNC :

S-No. :

 **From the Electrolux Group. The world's No. 1 choice.**

The Electrolux Group is the world's largest producer of powered appliances for kitchen, cleaning and outdoor use. More than 55 million Electrolux Group products (such as refrigerators, cookers, washing machines, vacuum cleaners, chain saws and lawn mowers) are sold each year to a value of approx. USD 14 billion in more than 150 countries around the world.

AEG Hausgeräte GmbH
Postfach 1036
D-90327 Nürnberg

<http://www.aeg.hausgeraete.de>

© Copyright by AEG

822 961 220 -00- 1103

Subject to change without notice