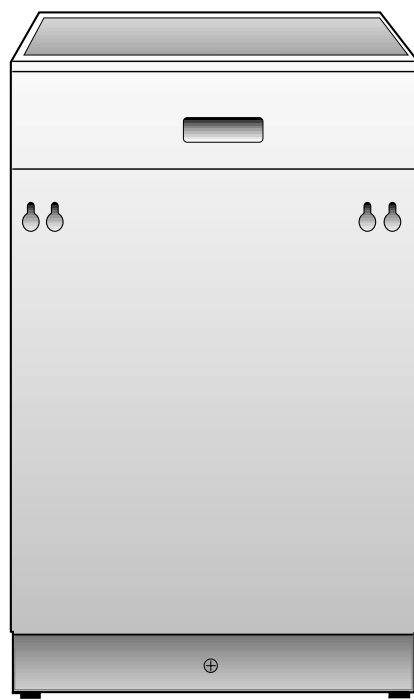


FAVORIT 84470 VI

Dishwasher

User information



PERFEKT IN FORM UND FUNKTION

AEG

Dear customer,

Please read this User Information carefully and keep it to refer to at a later date.

Pass it on to any subsequent owner of the appliance.

The following symbols are used in the text:



Safety instructions

Warning! Notes that concern your personal safety.

Attention! Notes that show how to avoid damage to the appliance.



Useful tips and hints



Environmental information



Your dishwasher has the new washing system "IMPULSE WASHING". With this dishwashing system the motor speed and spray pressure are varied during the wash cycle to achieve better cleaning of the dishes. It is for this reason that the noise level varies during the dishwashing cycle.

CONTENTS

Operating instructions	4
Safety	4
Appliance features and control panel	5
Prior to using for the first time	7
Setting the water softener	7
Adding special salt	9
Activating/deactivating the inflow of rinse aid	10
Activating/deactivating the acoustic signal	12
In daily use	13
Loading cutlery and dishes	13
Adjusting the height of the upper basket	16
Adding detergent	17
Using 3 in 1 detergent tablets	18
Selecting the dishwashing cycle (Cycle Table)	19
Starting a dishwashing cycle	20
Setting or changing the Start Delay	21
Switching off the dishwasher	22
Care and cleaning	23
What to do when...	24
Technical data	28
Notes for Test Institutes	28
Installation and connection instructions	30
Safety information for the installation	30
Installing the dishwasher	31
Connecting the dishwasher	32
Electrical connection	34
Service	35

OPERATING INSTRUCTIONS

Safety

Prior to using for the first time

- Follow the "Instructions for installation and connection".

Correct use

- The dishwasher is only meant for washing domestic dishes.
- Additions or modifications to the dishwasher are not permitted.
- Use only special salt, detergent and rinse aid suitable for domestic dishwashers.
- Do not put any solvents in the dishwasher. This could cause an explosion.

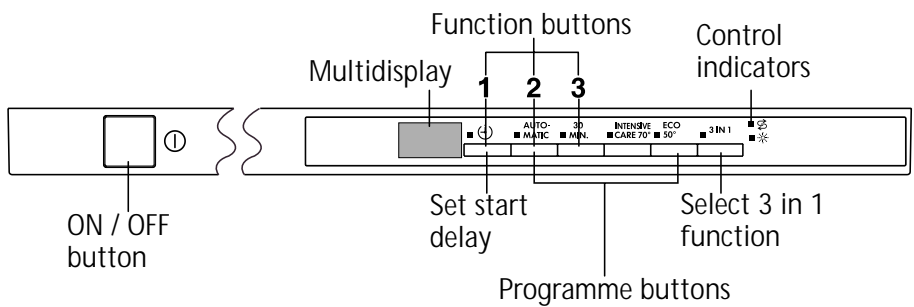
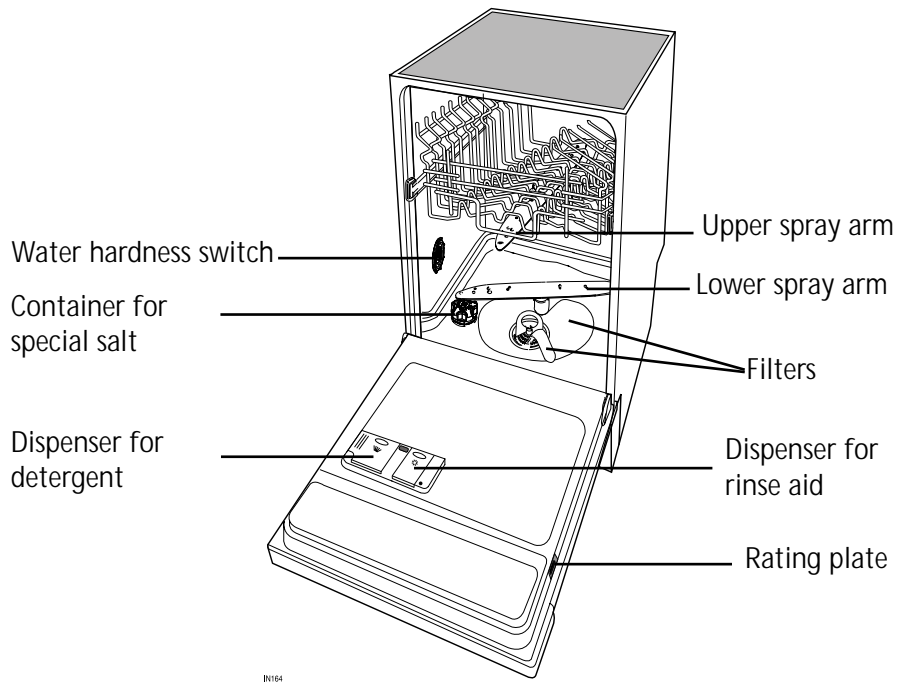
Child safety

- Keep packaging away from children. There is a risk of suffocation.
- Children often do not recognise the hazards associated with electrical appliances. Don't allow children to use the dishwasher unsupervised.
- Make sure that children and pets don't climb into the dishwasher. Could endanger life!
- Dishwasher detergents can cause chemical burns to the eyes, mouth and throat. Could endanger life! Comply with the safety instructions of the dishwasher detergent manufacturer.
- The water in the dishwasher is not for drinking. Risk of chemical burns.

General safety

- Repairs to the dishwasher are only to be carried out by qualified service engineers.
- When the dishwasher is not being used, switch it off and shut off the water tap.
- Never unplug the appliance by pulling on the cable. Always pull the plug.
- Never sit or stand on the open door.
- If the dishwasher is located in a room where there may be a frost, remove the connection hose from the tap after each use of the dishwasher.

Appliance features and control panel



Operating instructions

The **ON/OFF button** is used to turn the dishwasher on and off.

The **Programme buttons** are used to select the desired dishwashing cycle.



Function buttons: In addition to the dishwashing cycle and/or start delay selected, the following functions can also be set with the help of these buttons:

Function button 1	Set the water softener
Function button 2	Activate/deactivate rinse aid inflow
Function button 3	Activate/deactivate acoustic signal

The **multi-display** can indicate:

- the level of hardness to which the water softener is set.
- whether the rinse aid inflow has been activated/deactivated.
- whether the acoustic signal has been activated/deactivated.
- the start delay that has been set.
- the estimated time remaining for the current dishwashing cycle.
- what type of error has occurred with the dishwasher.

The **Control Indicators** have the following meanings:

	Refill with special salt
	Refill with rinse aid

i The indicators are never illuminated while a dishwashing cycle is running

Prior to using for the first time

1. Set the water softener
2. Fill up with special salt for water softener
3. Fill up with rinse aid



- If you use 3 in 1 detergent, do the following:
- Switch on the dishwasher, press 3 in 1 button. The button indicator lights up: 3 in 1 function is selected. As a result
 - there is no need to fill up with special salt or rinse aid.
 - there is no need to set the water softener.
 - there is no need to activate/deactivate the rinse aid inflow.
 - Before the start of the dishwashing cycle put 3 in 1 detergent in the detergent dispenser.
 - Read the section "Using 3 in 1 detergent".

Setting the water softener



To avoid scale deposits on the dishes and in the dishwasher, the dishes must be washed with soft water, i.e. water with a low lime content. The water softener must be set according to the table to the water hardness in the area where you live. Your local water company will be able to give you information about the water hardness in your area.

Water hardness			Adjusting the hardness setting		Indication on the multi-display	Number of acoustic signals
in °d ¹	in mmol/l ²	Range	Manual	Electronic		
51 - 70	9,0 - 12,5	IV	*2	10	<i>10L</i>	10
43 - 50	7,6 - 8,9			9	<i>9L</i>	9
37 - 42	6,5 - 7,5			8	<i>8L</i>	8
29 - 36	5,1 - 6,4			7	<i>7L</i>	7
23 - 28	4,0 - 5,0			6	<i>6L</i>	6
19 - 22	3,3 - 3,9	III	1	5	<i>5L</i>	5
15 - 18	2,6 - 3,2			4*	<i>4L</i>	4
11 - 14	1,9 - 2,5	II		3	<i>3L</i>	3
4 - 10	0,7 - 1,8	I/II		2	<i>2L</i>	2
unter 4	unter 0,7	I		1 no salt necessary	<i>1L</i>	1

1) (°d) German degree, measure of water hardness

2) (mmol/l) millimol per litre, international unit for water hardness

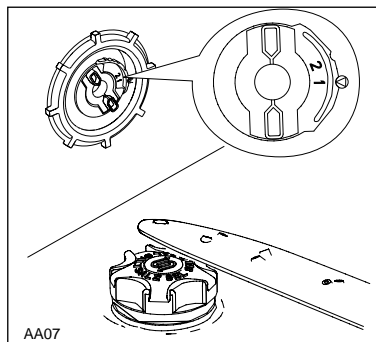
*) factory setting

Operating instructions

The dishwasher must be switched off. The water softener must be set manually:

Setting manually:

1. Open the dishwasher door.
2. Remove the lower basket from the dishwasher.
3. Turn the hardness range switch to 1 or 2 (see table).



Setting electronically:

1. Press the ON/OFF button.



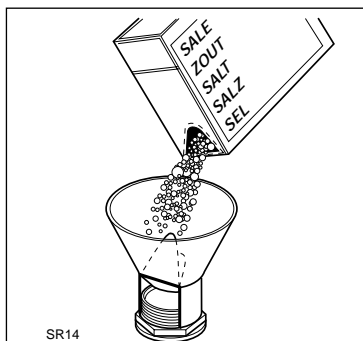
If indicators other than the ON/OFF button are lit, a dishwashing cycle is activated. The dishwashing cycle must be deselected: Press function buttons 2 and 3 simultaneously for approx. 2 seconds. All other indicators will go out.

2. Press function buttons 2 and 3 simultaneously and keep them pressed. The LED indicators for function buttons 1 to 3 will flash.
3. Press function button 1 again.
The LED indicator for function button 1 will flash.
The multi-display will indicate the hardness setting.
4. Pressing function button 1 increases the hardness setting by 1.
(Exception: hardness setting 1 follows hardness setting 10).
5. When the hardness setting is correct, press the ON/OFF button.
The hardness setting is now saved.
6. If the water softener is set electronically to "1", this switches off the control indicator for special salt.

Adding special salt

Use only special salt suitable for domestic dishwashers

1. Open the door and remove the lower basket.
2. Screw open the lid on the salt dispenser by turning it anti-clockwise.
3. **Only when using the dishwasher for the first time:**
Fill the salt dispenser with water.
4. Place the funnel (supplied) over the dispenser opening.
Fill the dispenser with special salt; the capacity of the dispenser is approx. 1.0-1.5 kg, depending on the size of the grains. Do not overfill the dispenser.



If water overflows when filling up with special salt, this is completely harmless.

5. Clean away any salt remnants from the dispenser opening.
6. Screw the lid back on in a clockwise direction.
7. **Run a dishwashing cycle after filling the salt dispenser with special salt.** This will wash away salt water and any salt crystals that have been spilt.



Depending on the size of the salt grains, it can take several hours for the salt to dissolve in the water and for the **SALT** indicator to go out.

Operating instructions

Activating/deactivating the inflow of rinse aid

With rinse aid the rinsing water drains away better and so you get smear-free, gleaming dishes and clear glasses.

1. Press the ON/OFF button.

The LED indicators for all the buttons in the control panel that are now able to be selected will become illuminated.



If the only LED indicator illuminated is one that belongs to a programme button, this means that this dishwashing cycle has been activated. The dishwashing cycle must be deselected (RESET):

Press function buttons 2 and 3 simultaneously for approx. 2 seconds. The LED indicators for all the buttons in the control panel that are now able to be selected will become illuminated.

2. Press function buttons 2 and 3 simultaneously and keep them pressed. The LED indicators for function buttons 1 to 3 will flash.
3. Press function button 2 again. The LED indicator for function button 2 will flash. The multi-display will indicate the current setting:

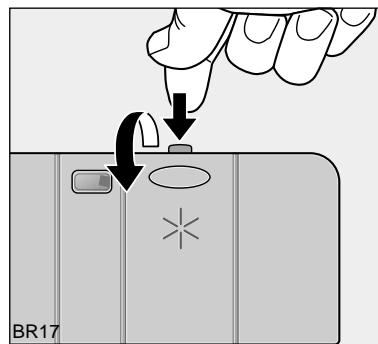
<i>0d</i>	Inflow of rinse aid is deactivated
<i>1d</i>	Inflow of rinse aid is activated (factory setting)

4. Pressing function button 2 activates and deactivates the rinse aid dispensing function.
5. Once the multi-display is indicating the required setting, press the ON/OFF button. The setting is now saved.

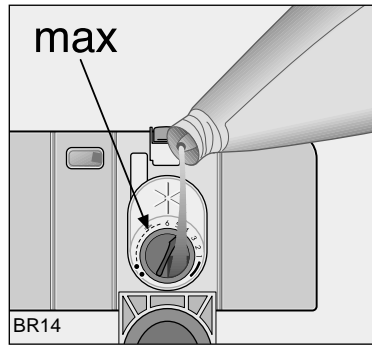
Adding rinse aid

Use only special rinse aid for dishwashers and no other liquid detergents.

1. Open the door. The rinse aid compartment is located on the inside of the dishwasher door.
2. Press the release button on the rinse aid compartment.
3. Open the cover.



4. Pour rinse aid in slowly right up to the broken "max" line; this corresponds to a volume of approx. 140 ml when full.
5. Press the lid shut until it clicks into place.
6. Wipe up any spilt rinse aid with a cloth. Otherwise too much foam will be formed when rinsing.

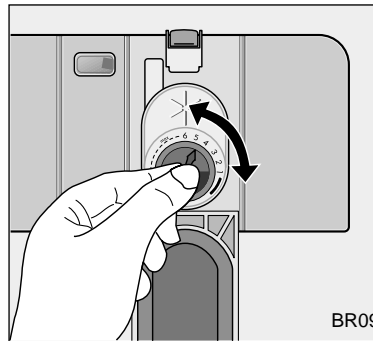


Setting the amount of rinse aid required



Only change the amount dispensed, if smears, milky spots or dried on water spots can be seen on glasses and dishes. (See section "If wash results are not satisfactory"). The dosage can be set from 1-6. The dosage is set to "4" in the factory.

1. Open the door of the dishwasher.
2. Press the release button on the rinse aid compartment.
3. Open the cover.
4. Set the dosage level.
5. Press the lid shut until it clicks into place.
6. If rinse aid has leaked out, wipe it away with a cloth.



Operating instructions

Activating/deactivating the acoustic signal

The acoustic signal can indicate acoustically:

- at which water hardness the water softener is set.
- when a dishwashing cycle has finished.
- when an error has occurred with the dishwasher.

You can switch on/off the acoustic signal in the following way:

1. Press the ON/OFF button.

The LED indicators for all the buttons in the control panel that are now able to be selected will become illuminated.



If the only LED indicator illuminated is one that belongs to a programme button, this means that this dishwashing cycle has been activated. The dishwashing cycle must be deselected (RESET):

Press function buttons 2 and 3 simultaneously for approx. 2 seconds. The LED indicators for all the buttons in the control panel that are now able to be selected will become illuminated.

2. Press function buttons 2 and 3 simultaneously and keep them pressed. The LED indicators for function buttons 1 to 3 will flash.

3. Press function button 3 again.

The LED indicator for function button 3 will flash.

The multi-display will indicate the current setting:

0b	Acoustic signal deactivated
1b	Acoustic signal activated (ex-factory setting)

4. Pressing function button 3 will change the setting.
5. Once the multi-display is indicating the required setting, press the ON/OFF button.
The setting is now saved.

In daily use

Loading cutlery and dishes



Sponges, cleaning cloths and any other objects that can absorb water must not be washed in the dishwasher. Plastic and Teflon-coated dishes tend to retain water droplets. These dishes therefore do not dry as well as china and stainless steel.

For washing in the dishwasher, the following cutlery/dishes	
are not suitable:	are of limited suitability:
<ul style="list-style-type: none"> • Cutlery with wooden, horn, china or mother-of-pearl handles • Plastic items that are not heat resistant • Older cutlery with cement that is sensitive to temperature • Dishes or cutlery with glued parts • Pewter or copper items • Lead crystal glass • Steel items that rust • Wooden boards/platters • Items made from synthetic materials 	<ul style="list-style-type: none"> • Only wash stoneware in the dishwasher if it is specifically marked by the manufacturer as being dishwasher-safe. • Glazed patterns may fade if washed very frequently in the dishwasher. • Silver and aluminium parts have a tendency to discolour when washed. Food remains, e.g. egg white, egg yolk and mustard often cause discoloration and staining on silver. Therefore always clean food residues from silver immediately, if it is not to be washed straight after use. • Some types of glass can become dull after a large number of washes.

- Before loading the dishes, you should:
 - Remove the worst of the food residues.
 - Soak pans with burnt on food residues.
- When loading the dishes and cutlery, please note:
 - Dishes and cutlery must not impede the rotation of the spray arms.
 - Load hollow items such as cups, glasses, pans, etc. with the opening downwards so that water cannot collect in them
 - Dishes and items of cutlery must not lie inside one another or cover one another
 - To avoid damage to glasses, they must not touch one another
 - Lay small objects in the cutlery basket

Operating instructions

Cutlery basket

Place knives, forks and spoons in the cutlery basket with their handles pointing downwards.

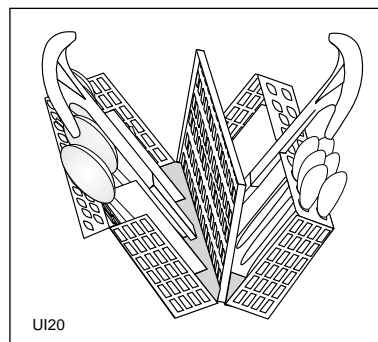
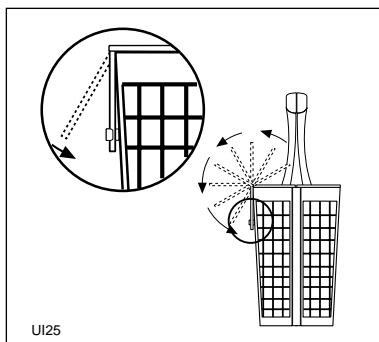
Arrange cutlery loosely and distribute it in all compartments so that each individual article has good contact with washing water. Also do not arrange spoons and forks with their dirty side in contact with each other.

Important! Exceptionally long cutlery, such as soup ladles, kitchen knives, or the like, may obstruct the upper spray arm. Such cutlery can be placed in the upper basket.

To unload your dishwasher more easily, you can take the cutlery basket out of the lower basket and unfold it. This makes it easier to remove small pieces of cutlery.

Important note! To prevent the full cutlery basket from inadvertently unfolding when being taken out, place your hand right round the two-piece handle and hold it firmly.

1. Place the cutlery basket on a firm support (table, worktop) and unfold both handle parts.
2. After unloading, fold back both handle parts.



Long bladed knives stored in an upright position are a potential hazard.

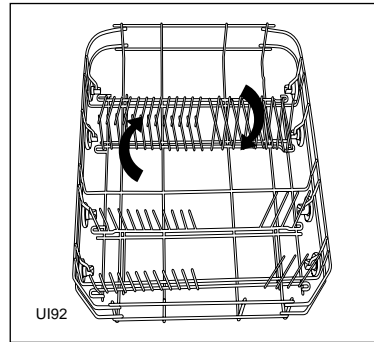
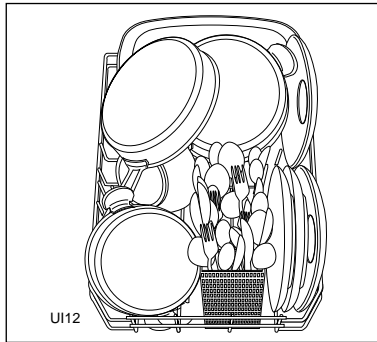
Long and/or sharp items of cutlery such as carving knives must be positioned horizontally in the upper basket.

Take care when loading or unloading sharp items such as knives.

The lower basket

Load larger and heavily soiled dishes in the lower basket.

To make it easier to load larger dishes, the rear plate rests in the lower basket can be folded down.



The upper basket

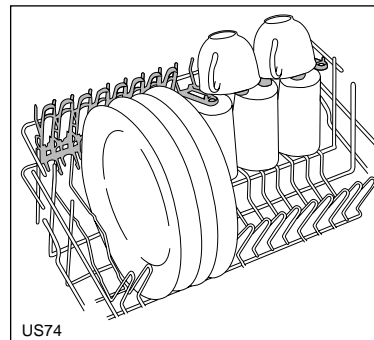
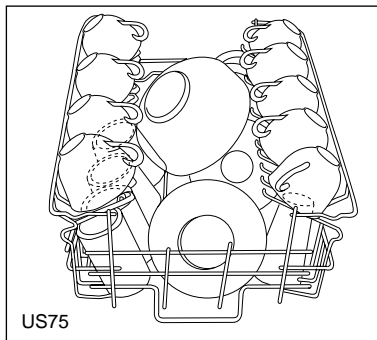
The upper basket is designed for plates (dessert plates, saucers, dinner plates up to 24 cm in diameter), salad bowls, cups and glasses; these should be arranged as shown in the pictures.

Glasses with long stems can be placed upside-down in the raised cup-racks.

The cup-rack on the left folds upwards to increase your loading flexibility.

Arrange items on and underneath the fold-down cup racks so that water can reach all surfaces.

Light items (plastic bowls etc.) must be loaded in the upper basket and arranged so they do not move.



Operating instructions



Before closing the door, ensure that the spray arms can rotate freely.

Adjusting the height of the upper basket

If washing very large plates you can load them in the lower basket after moving the upper basket to the higher position.

	Maximum height of the dishes in:	
	upper basket	lower basket
With upper basket raised	20 cm	31 cm
With upper basket lowered	24 cm	27 cm

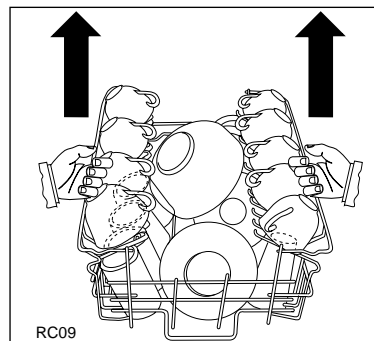
To move to the higher position proceed as follows:

1. Pull out the basket until it stops.
2. Carefully lift both sides upwards until the mechanism is engaged and the basket is stable.

Attention!

Never lift or lower the basket on one side only.

When the basket is in the higher position you will not be able to use the cup rack(s).



To move the lower basket to the original position proceed as follows:

1. Pull out the basket until it stops.
2. Carefully lift both sides upwards and then allow the mechanism to drop back down slowly, keeping hold of it.



After loading your machine always close the door, as an open door can be a hazard.

Adding detergent

The detergent must be added before the cycle starts.

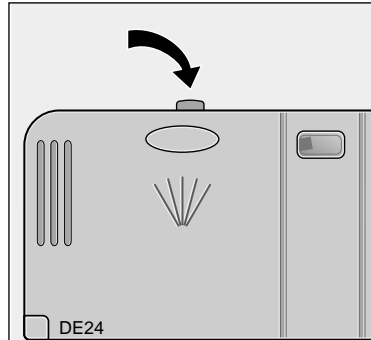


Use only dishwasher detergent.

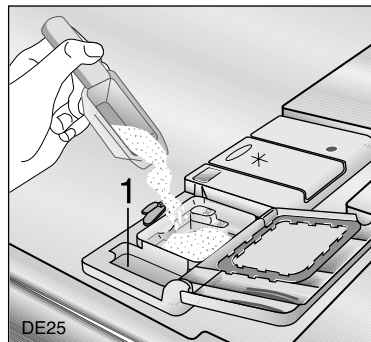
Follow the manufacturer's instructions with regard to dosing and storage.

The detergent compartment is located on the inside of the door.

1. If the lid is closed:
Press the release button.
The lid will spring open.



2. Place the detergent in the detergent dispenser. The markings indicate the dosing levels: "20"/"30" corresponds to approx. 20/30 ml of detergent.
3. Close the lid and press until it locks into place.



In the case of very heavily soiled dishes, fill the adjoining compartment (1) with additional detergent. This detergent starts to act with the pre-rinse.

Operating instructions

Using 3 in 1 detergent tablets

These products are detergents with a combined cleaning, rinsing and salt function.

1. Check whether they are suitable for your water hardness.
Follow the manufacturer's instructions.
2. Place just the detergent in the detergent dispenser.

If you want to stop using 3 in 1 products, please do the following:

- Fill up the dispensers for salt and rinse aid.
- Switch the water softener to the highest setting and perform up to three normal cycles without loading any dishes.
- Then set the water softener to the water hardness in your area.

Selecting the dishwashing cycle (Cycle Table)

Cycle	Suitable for	Type of soiling	Programme sequence					Consumption values ¹		
			Pre-rinse	Main wash	Intermediate	Final rinse	Drying	Length (minutes)	Energy (kWh)	Water (litres)
AUTOMATIC ²	Dinner service and cookware	normally soiled, dried-on food remains	•	•	•	•	•	80 bis 105	0,80 bis 1,20	12 bis 21
30 MIN.	Dishes excluding saucepans	just used, lightly to normally soiled	-	•	-	•	-	25 bis 30	0,70 bis 0,80	7 bis 8
INTENSIVE CARE 70°	Dinner service and cookware	heavily soiled, dried on food remains, in particular protein and starch	•	•	• 2x	•	•	113 bis 127	1,60 bis 1,80	19 bis 21
ECO 50° ³	Dinner service and cookware temperature-sensitive crockery	normally soiled	•	•	•	•	•	160 bis 170	0,75 bis 0,80	12 bis 13

- (1) The consumption values were obtained under standardised conditions. They depend on how full the baskets for the dishes are. Variations are therefore possible in practice.
- (2) When using this cycle the degree of water clouding determines the amount of soiling on the dishes. The length of the cycle and water and energy consumption can vary greatly – depending upon the load and how dirty the dishes are. Depending upon the soiling, the temperature of the water will be automatically adjusted to between 50°C and 65°C.
- (3) Test programme for Test Institutes.

Operating instructions

Starting a dishwashing cycle

1. Check that the dishes and cutlery are stacked in the dishwasher in such a way that the spray arms are free to rotate.
2. Turn on the tap fully.
3. Press the ON/OFF button.
The LED indicators for all the buttons in the control panel that are now able to be selected will become illuminated.
4. Press the relevant button for the cycle required (see "Cycle Table").
The cycle display will become illuminated.
The remaining time for the cycle will be shown in the multi-display.



The remaining time for the cycle is adjusted according to amount of dishes, degree of soiling, etc.

5. Close the dishwasher door. The dishwashing cycle will begin.



If an error message is displayed in the multi-display and/or if an acoustic error message can be heard after the cycle has begun, please read the section "What to do when...".

Interrupting or aborting a dishwashing cycle

Only interrupt a dishwashing cycle that is in progress if it is absolutely necessary. After the appliance has been closed again, the air that has entered will be heated significantly and expand. As a result, water may collect in the base of the appliance and trigger the antiflood system.



Interrupting the wash programme by opening the dishwasher door

Hot steam may escape when the door is opened. There is a risk of scalding.

1. Open the door carefully. The dishwashing cycle will stop.
2. Close the door. The wash programme will continue.


Aborting the dishwashing cycle

1. Open the door of the dishwasher.
2. Press function buttons 2 and 3 for approx. 2 seconds and keep them pressed.
The LED indicators for all the buttons in the control panel that are now able to be selected will become illuminated.
3. Release the function buttons.
The dishwashing cycle has been aborted.
4. Switch off the dishwasher by pressing the ON/OFF button.


Setting or changing the start delay

Using the start delay timer you can adjust when within the next 19 hours the dishwashing cycle is to begin.


Setting the start delay:

1. Open the door of the dishwasher.
2. Press the ON/OFF button.
The LED indicators for all the buttons in the control panel that are now able to be selected will become illuminated.
3. Continue pressing the  button until the number of hours until the dishwashing cycle is to start is flashing in the multi-display.
4. Press the button for the desired dishwashing cycle.
The length of the selected dishwashing cycle will flash for a moment in the multi-display, and then the selected starting time will be displayed again.
5. Close the door.
The dishwashing cycle will start automatically following a countdown of the hours set.

Changing the start delay:

As long as the dishwashing cycle has not started, you are still able to change the start delay by pressing the  button.

Cancelling the time delay:

As long as the dishwashing cycle has not started, you are still able to cancel the start delay. Continue pressing the  button until the length of the selected cycle appears in the multi-display. The selected dishwashing cycle will begin immediately after the dishwasher door has been closed.

Changing the dishwashing cycle after the start delay has been set:

As long as the dishwashing cycle has not started, you are still able to change the start delay set by pressing a cycle button.

1. Press the button for the new dishwashing cycle and hold it down.
First, the indicator for the dishwashing cycle that has just been selected will flash.
After several seconds only the indicator for the new dishwashing cycle will be flashing.
2. Release the cycle button.
3. Close the door.
The dishwashing cycle will start automatically following a countdown of the hours set.

Operating instructions

Switching off the dishwasher

When the wash programme has ended, a point-shaped optical signal appears on the floor beneath the appliance's door. Do not open the dishwasher door before this optical signal illuminates.



The punctiform light signal is not dangerous as it is not a laser light.



If the appliance has been installed higher up with a furniture door mounted flush, the optical signal will no longer be visible.

If the acoustic signal has been enabled, a continuous tone will sound for 15 seconds at the end of the dishwashing cycle.



Hot steam may escape if the door is opened immediately after the cycle has ended. Therefore:

1. Open the door carefully.
2. Switch off the dishwasher by pressing the ON/OFF button. All display indicators will go out. If you do not switch off the dishwasher, the acoustic signal will sound again 3 minutes later and 6 minutes later.

Removing the dishes



- It is normal for the inner door and the dispensers to be damp.
- Empty the lower basket first, then the upper basket. This way you avoid dripping water in the upper basket onto dishes in the lower basket.
- The dishwasher's interior light will always be on when the door of the appliance is open. Therefore in order to save energy you should always close the door of the dishwasher after having loaded or removed dishes.

Care and cleaning



Do not use furniture care products or aggressive cleaners.

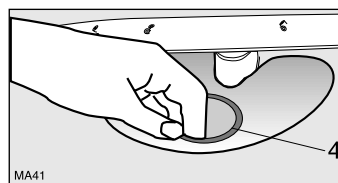
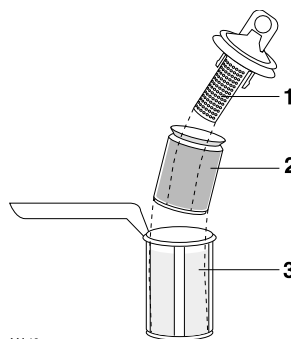
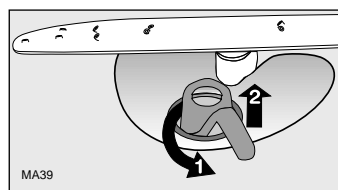
- When necessary, clean the dishwasher's controls with a soft cloth and clean warm water only.
- Occasionally check the internal dispensers, door seal, and water inlet for soiling, and clean them if necessary.

Cleaning the filters



The filters must be regularly checked and cleaned. Dirty filters will spoil the wash results.

1. Open the door and remove the lower basket.
2. Turn the handle about 1/4 of a turn anticlockwise and remove the filter system.
3. Take hold of the coarse and fine filters (1/2) by the handle and remove them from the micro-filter (3).
4. Clean all filters thoroughly under running water.
5. Remove the flat filter (4) from the base of the washing compartment and clean both surfaces thoroughly.
6. Re-insert the flat filter.
7. Place the coarse and fine filters in the micro-filter and press together.
8. Insert the filter system in place and lock it by turning the handle clockwise as far as it will go. Ensure that the flat filter does not protrude above the base of the washing compartment.



Under no circumstances may the dishwasher be used without its filters.

What to do when...

Try to rectify minor faults on the dishwasher with the aid of the instructions given here. If you call in customer service to resolve one of the malfunctions listed here, or rectify an error made in the operation of the appliance, the customer service engineer's visit is not free of charge, even during the period of guarantee.

...Error messages are displayed.

If your appliance is equipped with an optical floor signal, in the event of an error a dot-shaped optical signal will flash on the floor.

Errors will only be indicated acoustically if the acoustic signal has been activated.



If, as listed in the table below, any of the indicators in the control panel or the display panel are flashing or are illuminated, and/or if an acoustic signal can be heard, you can probably rectify the fault yourself.

Malfunction	Possible cause	Remedy
One continuously repeated warning tone can be heard; the cycle indicator for the selected cycle is flashing: Error code 10 is displayed in the multi-display: There is no water running into the dishwasher.	The tap is blocked or furred with lime-scale.	Clean tap.
	The tap is turned off.	Turn the tap on.
	The filter (where present) in the threaded hose fitting at the water inlet valve is blocked	Clean the filter in the threaded hose fitting.
	Filters in the base of the washing compartment are blocked.	Press the button for the commenced dishwashing cycle; then abort the dishwashing cycle by pressing RESET (see chapter: Starting a dishwashing cycle); Clean out the filters. (See chapter: Cleaning the filters).
	The water inlet hose has not been correctly laid.	Check hose installation.

Operating instructions

Malfunction	Possible cause	Remedy
Two short continuously repeated warning tones can be heard: the cycle display for the selected cycle is flashing; error code .20 is displayed in the multi-display.	The siphon is blocked.	Clean out siphon.
	The water drain hose has not been correctly laid.	Check hose installation.
Three short continuously repeated warning tones can be heard, error code .30 is displayed in the multi-display.	The leak prevention system has been triggered.	Turn off the tap and contact customer service.

After rectifying an **.10** or **.20** error, press the button for the commenced dishwashing cycle. The dishwashing cycle will continue. If the fault is displayed again, please contact customer service.



For all other errors displayed, please contact customer service stating the error code (see chapter: Customer service).

Operating instructions

..there are problems with the operation of the dishwasher.

Malfunction	Possible cause	Remedy
The programme does not start.	The door of the dishwasher is not closed properly.	Shut the door.
	Mains plug is not plugged in.	Insert mains plug.
	House fuse is defective.	Replace fuse.
	In the case of dishwasher models with start delay timer: A start delay is selected.	If dishes are to be washed immediately cancel delay start timer.
Rust spots are visible in washing compartment.	Rust spots in the washing compartment are from particles from outside the appliance (rust particles from the water pipe, from pans, cutlery, etc). Remove such spots with a commercially available stainless steel cleaner.	Only wash cutlery and dishes that are suitable for dishwasher use.
		Close the lid of the special salt container securely.
There is a whistling noise during washing.	The whistling is not a cause for concern.	Use a different brand of detergent.

....the wash result is not satisfactory.**The dishes are still dirty.**

- The wrong dishwashing programme was selected.
- The dishes were loaded in such a way that the wash water did not reach all items. The baskets for the dishes must not be overloaded.
- The filters in the base of the washing compartment are dirty or incorrectly positioned.
- Good quality detergent was not used, or too little was used.
- In the case of scale deposits on the dishes: The special salt dispenser is empty or the water softener has been incorrectly adjusted.
- The drain hose is incorrectly laid.

The dishes do not dry and are not shiny.

- Poor quality rinse aid used.
- The rinse aid dispenser is empty.

There are smears, streaks, milky spots or a shiny bluish coating on glasses and dishes.

- Lower rinse aid dosage.

There are dried water drops on the glasses and dishes.

- Increase rinse aid dosage.
- The detergent may be the cause. Contact the detergent manufacturer's customer advice centre.

Glasses corroded

- Contact the detergent manufacturer's customer advice centre.

Operating instructions



Disposal

Packaging material

All the packaging materials used are harmless to the environment and can be recycled. Plastics are marked, e. g. >PE<, >PS< etc. Use these marking to dispose of the packaging material in the right containers at your local recycling centre.

Old appliances

Dispose of your old appliance in accordance with the disposal guidelines where you live.



Warning! When an appliance is finished with, remove the plug from the socket. Cut off the cable and plug and dispose of them. Break the door lock so that the door no longer shuts. This prevents children from trapping themselves inside and endangering their lives.

Technical data

Capacity:	9 place settings including serving dishes
Permitted water pressure:	min. 50 kPa (0.5 bar) max. 800 kPa (8 bar)
Electrical connection:	Information on the electrical connection is given on the rating plate located on the right inner edge of the dishwasher door.
Dimensions:	818 - 878 x 446 x 555 (H x W x D in mm)



This appliance conforms with the following EU Directives:

- 73/23/EEC dated 19.02.1973 Low Voltage Directive
- 89/336/EEC dated 03.05.1989 EMC Directive inclusive of Amending Directive 92/31/EEC.
- 93/68/EEC dated 22.07.1993 CE Marking Directive

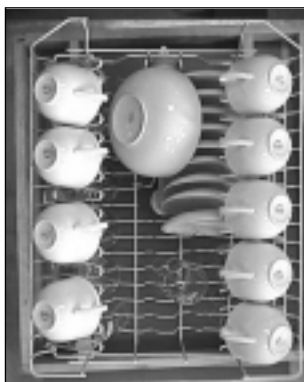
Notes for Test Institutes

Testing in accordance with EN 60704 must be carried out with the appliance fully loaded and using the test cycle (see "Cycle Table").

Tests in accordance with EN 50242 must be carried out when the salt dispenser in the water softener and the rinse aid dispenser have been filled with salt and rinse aid respectively, and using the test cycle (see "Cycle Table").

Full load:	9 place settings
Rinse aid setting:	Position 4 (Type III)
Amount of detergent required:	5 g + 20 g (Typ B)

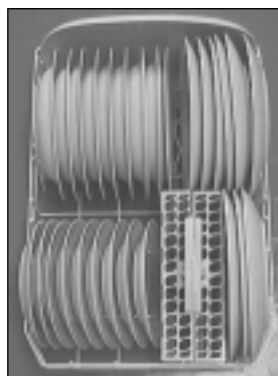
Example loading arrangement :



Upper basket: without smaller bowl and salad-bowl



Upper basket: with smaller bowl and salad-bowl



Lower basket



Cutlery basket

INSTALLATION AND CONNECTION INSTRUCTIONS



Safety information for the installation

- Only transport the dishwasher in an upright position, otherwise salt water may run out.
- Before using the dishwasher for the first time, check for any damage caused in transport. Do not under any circumstances connect an appliance that is damaged. In the case of damage, please contact your supplier.
- Never use the dishwasher if the mains cable, water inlet or drain hose are damaged; or if the control panel, work top or plinth area are damaged such that the inside of the appliance is freely accessible.
- Always plug the mains plug into a correctly installed shockproof socket.
- Permanent connection: a permanent connection must only be installed by a trained electrician.
- Prior to using the appliance for the first time, ensure that the rated voltage and type of supply on the rating plate match that of the supply where the appliance is to be installed. The fuse rating is also to be found on the rating plate.
- Multi-way plugs / connectors and extension cables must not be used. This could constitute a fire hazard through overheating.
- The dishwasher's cable must only be replaced by the Customer Care Department or a trained specialist technician.
- A water inlet hose with safety valve must only be replaced by the Customer Care Department.

Installing the dishwasher

- The dishwasher must be installed on a firm floor and adjusted to ensure that it is stable and level.
- To compensate for unevenness in the floor and to match the height of the appliance to that of surrounding units, extend the threaded feet using a screwdriver:
- Adjust the rear feet of the appliance using a cordless screwdriver from the front of the appliance.
- The drain hose, inlet hose and mains cable must be laid so that they are able to move freely within the plinth area and so that they are not kinked or crushed.
- The dishwasher must also be screwed tightly to the work surface or to the adjoining units. This is essential to ensure the dishwasher does not tip up.

Dishwashers that can be integrated

(see installation template supplied)

Connecting the dishwasher

Connecting to the water supply

- The dishwasher can be connected to cold and hot water supplies up to max. 60°C.
- The dishwasher **must not** be connected to open hot water appliances or instantaneous water heaters.

Permitted water pressure

Lowest permitted water pressure:
0,5 bar (=5 N/cm² =50 kPa)

Consult your installer if the water pressure is less than 0,5 bar.

Highest permitted water pressure:
8 bar (=80 N/cm² =0,8 MPa)

If the water pressure is greater than 8 bar, a pressure reduction valve must be used (available from your dealer).

Connecting the inlet hose



The water inlet hose must not be kinked, crushed or entangled when it is being connected up.

Connect the threaded hose fitting (ISO 228-1:2000) on the water inlet hose to a tap with an external thread (3/4 inch). The inlet hose is fitted with either a plastic or a metal nut:

- Tighten the **plastic nut hand tight only**.
- You must tighten the **metal nut using a tool**.

Then do a visual check for water tightness (make sure that the tap is not dripping).



- So that access to the tap in the kitchen is not limited by the use of the dishwasher, we recommend installing an additional tap, or fitting a T-branch to the existing tap.

Water drainage

Drain hose



The drain hose must not be kinked, crushed or entangled.

- Connecting the drain hose: maximum permitted height above the bottom edge of the appliance: 60 cm.

Water outlet hose connection

The end of the drain hose can be connected in the following ways:

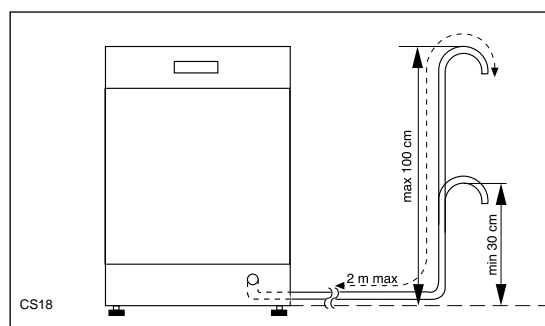
1. To the sink outlet spigot, securing it to the underside of the work surface. This will prevent waste water from the sink running into the machine.
2. Hooked over the edge of the sink using the special curved plastic guide provided.
3. To a stand pipe provided with vent-hole, minimum internal diameter 4 cm.

The waste connection must be at a height of between 30 cm (minimum) and 100 cm (maximum) from the bottom of the dishwasher.

The drain hose can face either to the right or left of the dishwasher. Ensure the hose is not bent or squashed as this could prevent or slow down the discharge of water.

The sink plug must not be in place when the machine is draining as this could cause the water to siphon back into the machine.

If you use a drain hose extension it must be no longer than 2 metres and its internal diameter must be no smaller than the diameter of the hose provided.



Likewise the internal diameter of the couplings used for connections to the waste outlet must be no smaller than the diameter of the hose provided.

Attention!

Our appliances are supplied with a security device to protect against the return of dirty water back into the machine. If the spigot of your sink has a "no return valve" incorporated this can prevent the correct draining of your dishwasher. We advise you therefore to remove it.

Installation and connection instructions

Anti-flood system

For protection from water damage, the dishwasher is equipped with a anti-flood system.

In the event of a fault, the safety valve in the water inlet hose immediately interrupts the supply of water to the appliance.

Electrical connection

Details about the voltage, type of supply and the fuses required are to be found on the rating plate. The rating plate is located on the right inner edge of the dishwasher door.

To isolate the dishwasher from the mains, pull out the mains plug.

Important:

- The plug must still be accessible after the appliance has been installed.
- Following installation, live parts and insulated wiring must not be accessible with a probe in accordance with EN 60335/DIN.

Connections

The water inlet hose, drain hose and the mains cable must all be connected to the side of the dishwasher as there is no space for them behind the appliance.

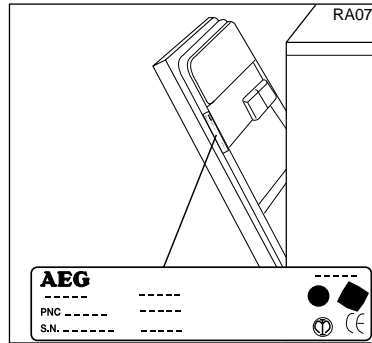
Service

If after all these checks, the problem persists, contact your local consumer services department, quoting the model (Mod.), product number (PNC) and serial number (S.N.).

This information can be found on the rating plate located on the right hand side of the dishwasher door (see picture).

So that you always have these numbers at hand, we recommend you to make a note of them here:

Mod. :
 PNC :
 S.N. :



Service and spare parts

This product should be serviced by an authorised service engineer, and only genuine spare parts should be used.

Under no circumstances should you attempt to repair the machine yourself.

Repairs carried out by inexperienced persons may cause injury or serious malfunctioning. Contact your local consumer services department.

Always insist on genuine spare parts.

 **From the Electrolux Group. The world's No.1 choice.**

The Electrolux Group is the world's largest producer of powered appliances for kitchen, cleaning and outdoor use. More than 55 million Electrolux Group products (such as refrigerators, cookers, vacuum cleaners, chain saws and lawn mowers) are sold each year to a value of approx. 14 billion USD in more than 150 countries around the world.

AEG Hausgeräte GmbH
Postfach 1036
D-90327 Nürnberg

<http://www.aeg.hausgeraete.de>

© Copyright by AEG

152 967 44/0

Subject to change without notice